



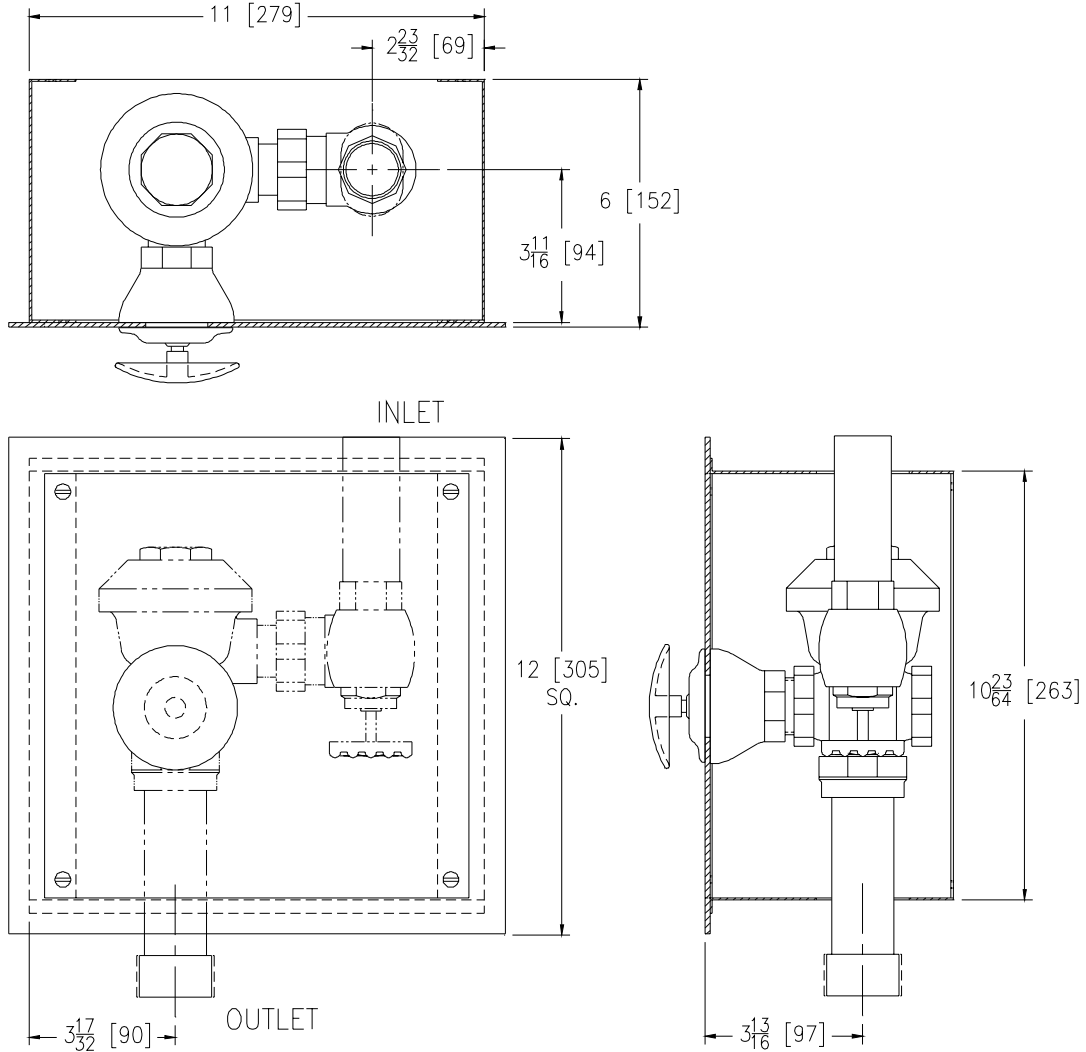
# Z1467-76

## FLANGED ACCESS BOX ASSEMBLY FOR Z6150-L3 FLUSH VALVE

SPECIFICATION SHEET

TAG \_\_\_\_\_

Dimensional Data (inches and [ mm ]) are Subject to Manufacturing Tolerances and Change Without Notice



Approx. Wt. Lbs. [Kg.]
20 [9]

**ENGINEERING SPECIFICATION:** Zurn ZS1467-76 Square flanged wall access box for Z6150-L3 concealed flush valve. Complete with smooth, stainless steel panel secured to flush over-wall frame.

**PREFIXES**

\_\_\_\_\_ ZS    Type 304 Stainless Steel

**SUFFIXES**

\_\_\_\_\_ -VP    Vandal-Proof Screws

<b>REV.</b>	<b>DATE: 05/02/05</b>	<b>C.N. NO. 93290</b>
<b>DWG. NO. P-15160</b>	<b>PRODUCT NO. ZS1467-76</b>	

\*REGULARLY FURNISHED UNLESS OTHERWISE SPECIFIED