

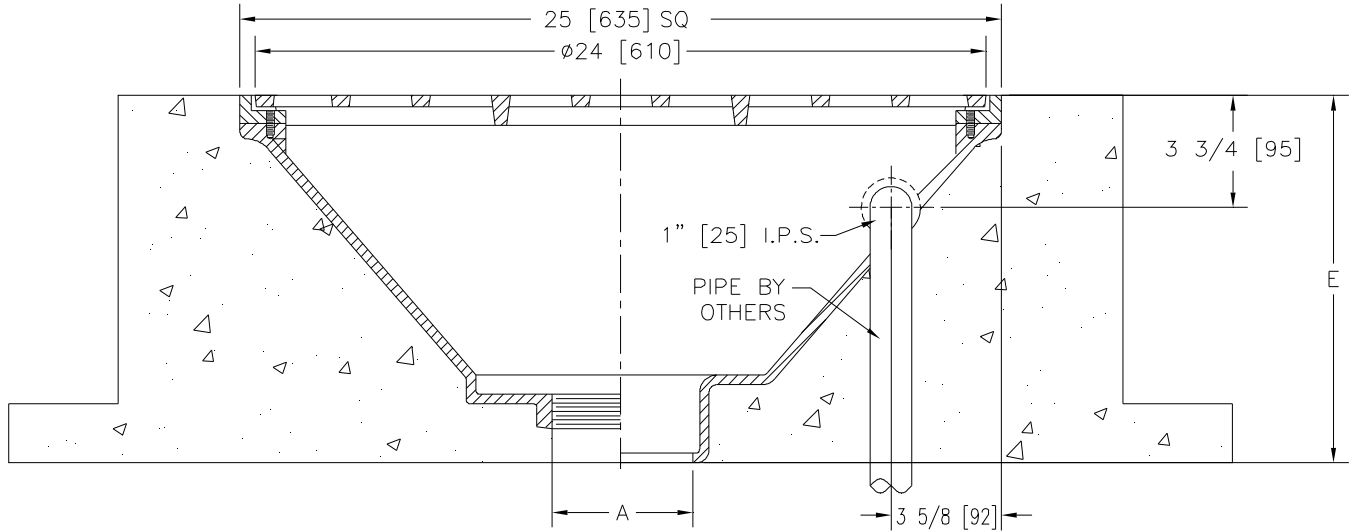


Z319-79 THOROFLUSH DRAIN LARGE CAPACITY

SPECIFICATION SHEET

TAG _____

Dimensional Data (inches and [mm]) are Subject to Manufacturing Tolerances and Change Without Notice



A-Pipe Size Inches	Approx. Wt. Lbs.	Grate Open Area Sq. In.
3-4-5-6-8 [76,102,127,152,203]	118 [53]	232 [1497]

ENGINEERING SPECIFICATION: ZURN ZN319-79
25" [635] Large Capacity Thoroflush Drain, cast iron body with white acid resistant coating, bottom outlet, and nickel bronze top frame and grate with flushing connection body.

OPTIONS (Check/specify appropriate options)

OUTLET (Specify type)

- _____ **IC** Inside Caulk
- _____ **IG** Inside Caulk w/Sealtrol Gskt.
- _____ **IP** Threaded

PIPE SIZE (Specify size)

- _____ 3",4",5",6",8" [76,102,127,152,203]
- _____ 3",4",6" [76,102,152]
- _____ 3",4",5",6",8" [76,102,127,152,203]

**'E' BODY HT.
DIMENSION**

- _____ 12-1/8" [308]
- _____ 12-1/8" [308]
- _____ 11" [279]

PREFIXES

- _____ **ZB-** Cast Iron Body w/Acid Resistant Coating and Polished Bronze Top
- _____ **ZN-** Cast Iron Body w/Acid Resistant Coating and Polished Nickel Bronze Top*

SUFFIXES

- _____ **-DC** Dura-Coated Interior
- _____ **-G** Galvanized Cast Iron
- _____ **-P** Trap Primer Connection
- _____ **-V** Backwater Valve (See Z1099)
- _____ **-VP** Vandal Proof Secured Top
- _____ **-WB** Water Control Box (See Z1464)

*REGULARLY FURNISHED UNLESS OTHERWISE SPECIFIED

REV. A	DATE: 11/16/07	C.N. NO. 97720
DWG. NO. P-14730 PRODUCT NO. Z319-79		