



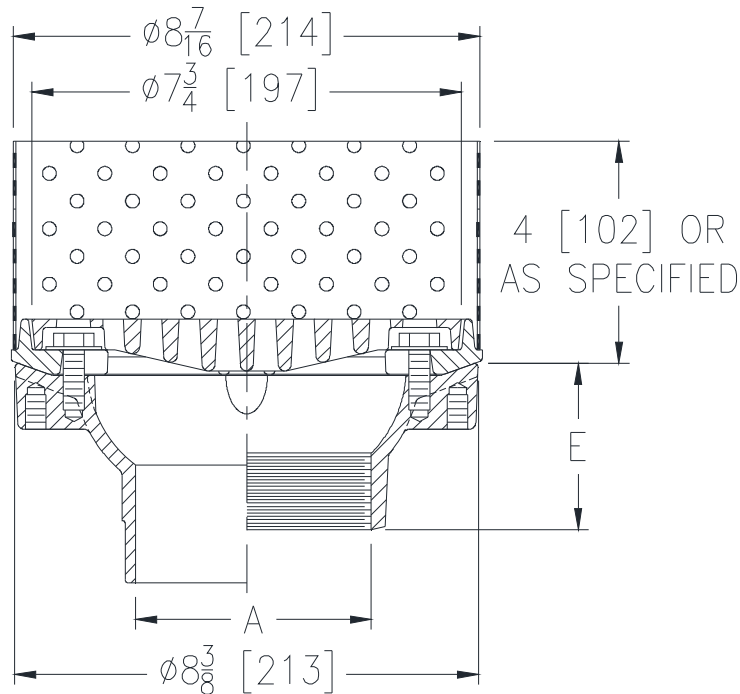
# Z125-FG-84

8-3/8 [213] DIAMETER ROOF DRAIN W/ FLUSH GRATE  
& 4 [102] HIGH PERFORATED GRAVEL GUARD

SPECIFICATION SHEET

TAG \_\_\_\_\_

Dimensional Data (inches and [ mm ]) are Subject to Manufacturing Tolerances and Change Without Notice



A Pipe Size In. [mm]	Approx. Wt. Lbs. [kg]	Grate Open Area Sq. In. [cm <sup>2</sup> ]
2,3,4 [51,76,102]	17 [8]	13 [84]

**ENGINEERING SPECIFICATION: ZURN Z125-FG-84**  
8-3/8" [213mm] Diameter roof drain, Dura-Coated cast iron body with combination membrane flashing clamp/gravel guard, flush grate and 4" [102mm] high perforated gravel guard.

**OPTIONS** (Check/specify appropriate options)

**PIPE SIZE**

- 2,3,4 [51,76,102]
- 2 [51]
- 3 [76]
- 4 [102]
- 2,3,4 [51,76,102]
- 2,3,4 [51,76,102]

(Specify size/type) **OUTLET**

- \_\_\_ IC Inside Caulk
- \_\_\_ IP Threaded
- \_\_\_ IP Threaded
- \_\_\_ IP Threaded
- \_\_\_ NH No-Hub
- \_\_\_ NL Neo-Loc

**'E' BODY HT. DIM.**

- 3-7/8 [98]
- 2-7/16 [62]
- 2-3/4 [70]
- 3 [76]
- 4 [102]
- 3-13/16 [97]

**PREFIXES**

- \_\_\_ Z D.C.C.I. Body with Grate\*

**SUFFIXES**

- |   |  |
|---|--|
| ___ -AR Acid Resistant Epoxy Coated Finish                        | ___ -TC Neo-Loc Test Cap Gasket<br>(2,3,4 [51,76,102] NL Bottom Outlet Only) |
| ___ -C Underdeck Clamp  | ___ -VP Vandal-Proof Secured Top   |
| ___ -DP Top-Set® Roof Deck Plate<br>(Replaces both the -C and -R) | ___ -XJ Vertical Expansion Joint (See Z190)                                  |
| ___ -E 2 [51] High Static Extension (Specify Height)              | ___ -85 Stainless Steel Perforated Extension                                 |
| ___ -EB Top-Set® Adjustable Extension Assembly                    | ___ -89 2 [51] High External Water Dam                                       |
| ___ -G Galvanized Cast Iron                                       | ___ -90 90° Threaded Side Outlet Body<br>(2,3,4 [51,76,102])                 |
| ___ -R Roof Sump Receiver   |  |
| ___ -SC Secondary Clamping Collar                                 |  |

\* Regularly furnished unless otherwise specified.