

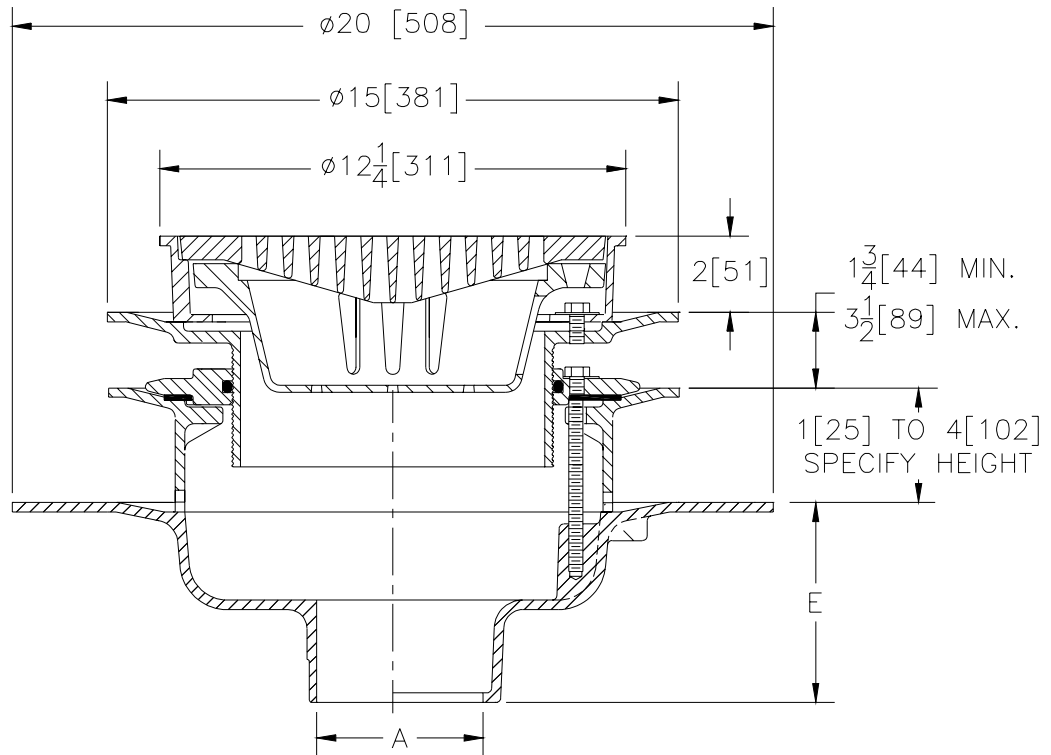


Z-541-111

12" [305] DIAMETER HEAVY DUTY DRAIN

TAG _____

Dimensional Data (inches and [mm]) are Subject to Manufacturing Tolerances and Change Without Notice



A- Pipe Size In.	Approx. Wt. Lbs. [kg]	Grate Open Area Sq. In. [cm ²]
3-4 [75-100]	52 [24]	29 [187]
6-8 [150-250]	54 [24]	

ENGINEERING SPECIFICATION: ZURN Z-541-111 12[305] Diameter top drain. Dura-Coated cast iron body with wide deck flange, bottom outlet, seepage pan, static extension, adjustable extension assembly and combination membrane flashing clamp and frame for anti-tilt heavy duty slotted grate with suspended sediment bucket.

OPTIONS (Check/specify appropriate options)

PIPE SIZE

3, 4, 6, 8, [75, 100, 150, 200]
 3, 4, 6, 8, [75, 100, 150, 200]

(Specify size/type) **OUTLET**

___ IC Inside Caulk
 ___ NH No-Hub

'E' BODY HT. DIM.

5 1/4 [133]
 5 1/4 [133]

PREFIXES

- ___ Z- D.C.C.I. Body and Grate*
- ___ ZB- D.C.C.I. Body with Polished Bronze Grate (Add 3/16 [5] to 2 [51] Dim.)
- ___ ZN- D.C.C.I. Body with Polished Nickel Bronze Grate (Add 3/16 [5] to 2 [51] Dim.)

SUFFIXES

- ___ -DG Duresist Grate
- ___ -DX Dex-o-tex Flange (See Z-532)
- ___ -G Galvanized Cast Iron
- ___ -LY (Less) Sediment Bucket
- ___ -P Trap Primer Connection
- ___ -S Secondary Strainer
- ___ -SS Stainless Mesh Liner for Bucket
- ___ -V Backwater Valve (See Z-1099)
- ___ -VP Vandal Proof Secured Top
- ___ -90 90° Threaded Side Outlet Body (2 thru 6 [50 thru 150])

REV.	DATE: 5/13/99	C.N. NO. 82527
DWG. NO. P-14716 PRODUCT NO. Z-541-111		

*REGULARLY FURNISHED UNLESS OTHERWISE SPECIFIED