



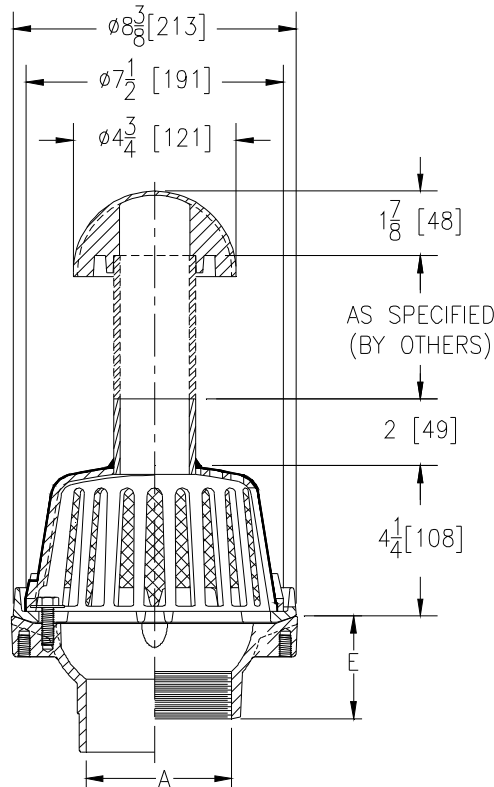
# Z125-123

## 8 [203] LATERAL ROOF DRAIN LOW SILHOUETTE DOME W/ TYPE 'P' TOP

SPECIFICATION SHEET

TAG \_\_\_\_\_

Dimensional Data (inches and [ mm ]) are Subject to Manufacturing Tolerances and Change Without Notice



Dimensions in Inches [mm]		Approx. Wt. Lbs. [kg]	Dome Open Area Sq. In [sq. cm]
A Pipe Size	M		
2 [51]	4-7/16 [113]	35 [16]	42 [271]
3 [76]	3-7/8 [98]		
4 [102]	3-3/8 [86]		

### ENGINEERING SPECIFICATION: ZURN Z125-123

8" [203mm] Diameter lateral roof drain, Dura-Coated cast iron body with combination membrane flashing clamp/gravel guard and low silhouette cast bronze dome with stainless steel mesh screen and brass overflow strainer with dome top.

### OPTIONS (Check/specify appropriate options)

#### PIPE SIZE

2,3,4 [51,76,102]

(Specify size/type) **OUTLET**

\_\_\_\_\_ IP Threaded

#### **E BODY HT. DIM.**

5-15/16 [151]

#### PREFIXES

\_\_\_\_\_ **ZRB-** D.C.C.I. Body with Plain Bronze Dome\*

#### SUFFIXES

- \_\_\_\_\_ **-AR** Acid Resistant Epoxy Coated
- \_\_\_\_\_ **-BS** Bronze Mesh Screen Over Dome
- \_\_\_\_\_ **-C** Underdeck Clamp
- \_\_\_\_\_ **-E** Static Extension 1" thru 4" (Specify Height)
- \_\_\_\_\_ **-ES** Static Extension with Secondary Clamp Collar at Body (for clamping at roof drain body)
- \_\_\_\_\_ **-G** Galvanized Cast Iron
- \_\_\_\_\_ **-R** Roof Sump Receiver
- \_\_\_\_\_ **-SC** Secondary Clamp Collar

- \_\_\_\_\_ **-VP** Vandal Proof Secured Dome
- \_\_\_\_\_ **-84** Stainless Steel Perforated Gravel Guard
- \_\_\_\_\_ **-85** Stainless Steel Perforated Extension

\* Regularly furnished unless otherwise specified.