

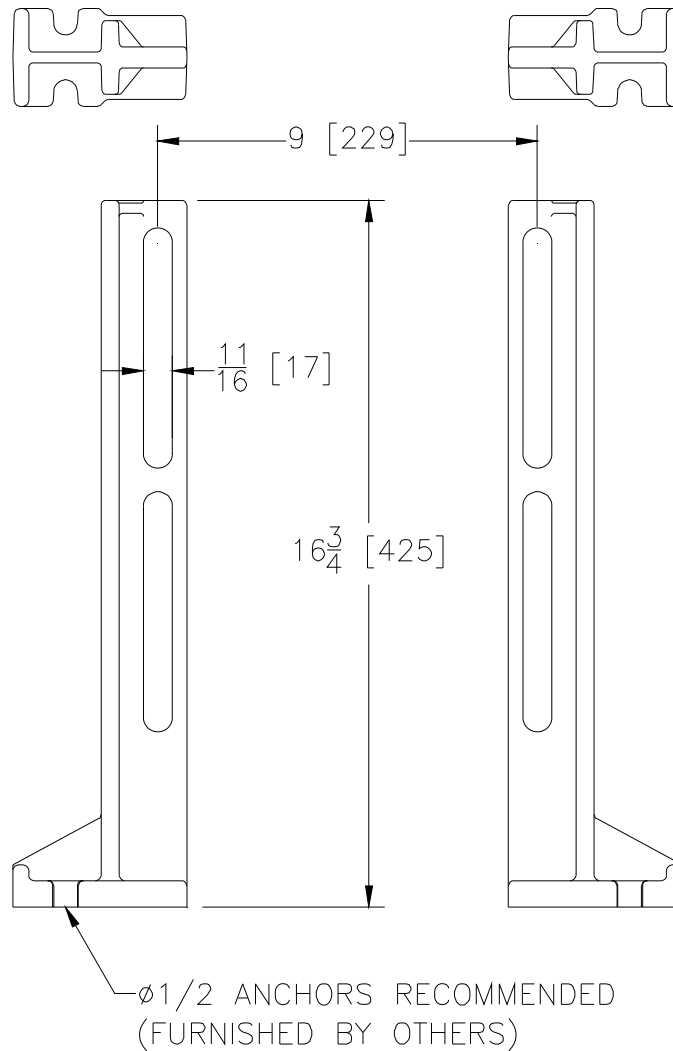


Z1210-M AUXILIARY FOOT SUPPORT

SPECIFICATION SHEET

TAG _____

Dimensional Data (inches and [mm]) are Subject to Manufacturing Tolerances and Change Without Notice



ENGINEERING SPECIFICATION: ZURN Z1210-M Dura-Coated cast iron floor mounted foot supports and support hardware.
(For P-Dim. 10 [254] - 18 [457]. See Water Closet Carrier specification for reference)

*REGULARLY FURNISHED UNLESS OTHERWISE SPECIFIED

REV. A DATE: 11/19/10 C.N. NO. 120488

DWG. NO. 300492 PRODUCT NO. Z1210-M

ZURN INDUSTRIES, LLC ♦ SPECIFICATION DRAINAGE OPERATION ♦ 1801 Pittsburgh Ave. ♦ Erie, PA 16514

Phone: 814/455-0921 ♦ Fax: 814/454-7929 ♦ World Wide Web: www.zurn.com

In Canada: ZURN INDUSTRIES LIMITED ♦ 3544 Nashua Drive ♦ Mississauga, Ontario L4V1L2 ♦ Phone: 905/405-8272 Fax: 905/405-1292