



Z1388-75

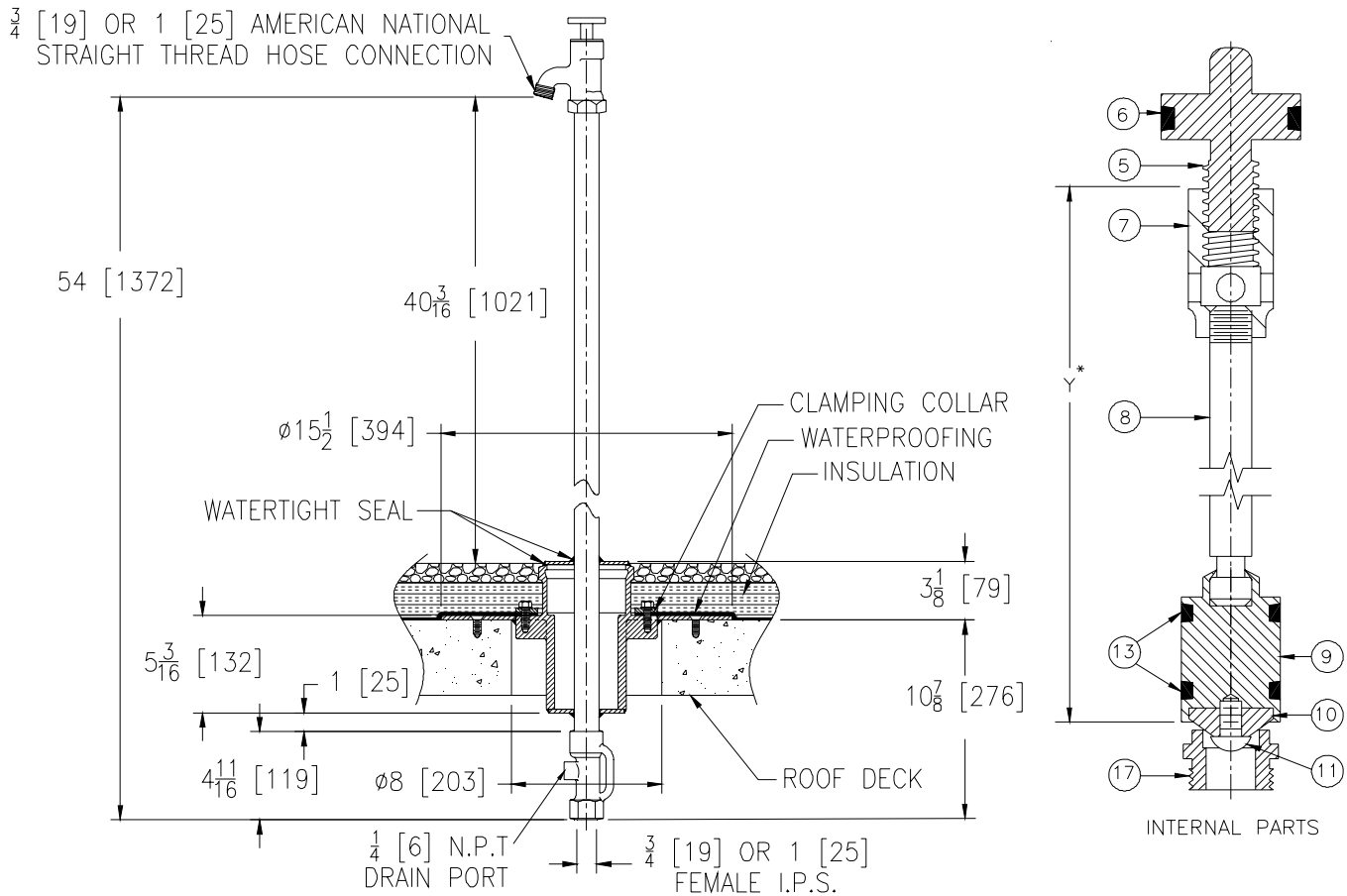
ROOF HYDRANT

Exposed Head, Non-Freeze

SPECIFICATION SHEET

TAG _____

Dimensional Data (inches and [mm]) are Subject to Manufacturing Tolerances and Change Without Notice



Approx. Wt. Lbs. [kg]
38 [17]

ENGINEERING SPECIFICATION: ZURN Z1388-75

Exposed, non-freeze roof hydrant, with Dura-Coated cast iron head, bronze interior parts, galvanized steel casing, bronze valve housing seat, and replaceable seat washer, and non-turning operating rod with free-floating compression closure valve with 3/4 [19] or 1 [25] connections. Complete with Dura-Coated cast iron roof support sleeve with wide anchoring flange, clamp collar and operating key.

Note: Important: Hydrant must be opened one turn to seal 1/4 [6] drain port during use.

OPTIONS (Check/specify appropriate options)

SUFFIXES

- ___ -AC Aluminum Casing Guard
- ___ -BC Bronze Casing
- ___ -RK Hydrant Parts Repair Kit
- ___ -VB 3/4 [19] Adapter Vacuum Breaker
- ___ -WH Wheel Handle

PARTS LIST

Item	Name	Quan.
5	Operating Screw	1
6	O-Ring	1
7	Operating Coupling	1
8	Operating Rod	1
9	Washer Guide	1
10	Washer (neoprene)	1
11	Screw	1
13	O-Ring	2
17	Removable Seat	1

REV.	DATE: 03/01/10	C.N. NO. 110774
DWG. NO. P-15846	PRODUCT NO. Z1388-75	

*WHEN ORDERING REPLACEMENT PARTS SPECIFY Y DIM.