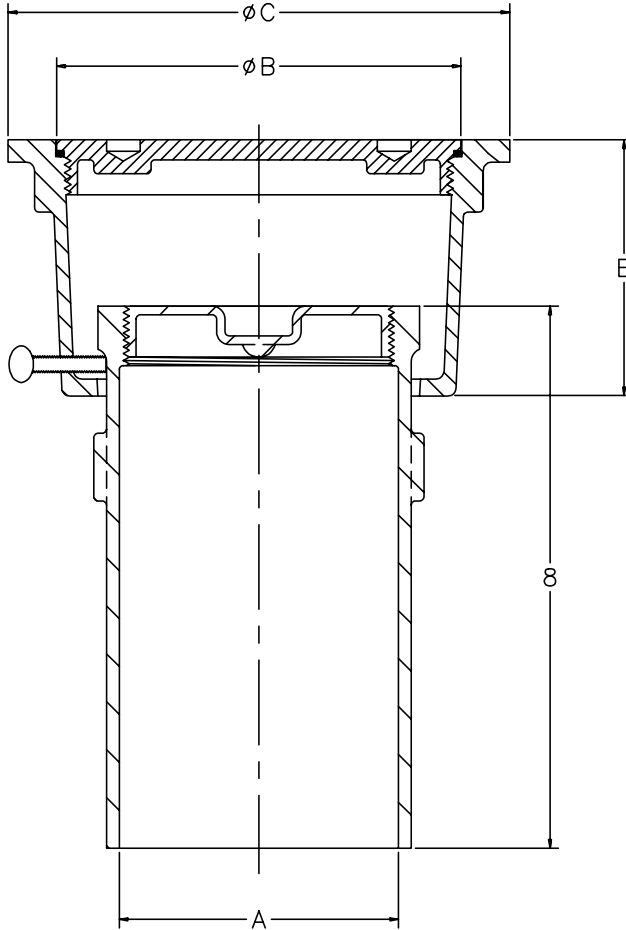




**Z-1456-76 DECK CLEANOUT
WITH Z-1449 CLEANOUT FERRULE
WITH PLUG**

TAG _____

Dimensions Subject to Manufacturing Tolerances



Dimensions In Inches			Approx. Wt. Lbs.
A Pipe Size	IC		
2	3-1/2	4-3/4	7
3	5	6	10
4	6	7-3/8	14
5	8	9-3/8	20
6			25

ENGINEERING SPECIFICATION: ZURN Z-1456-76 cleanout, stainless steel, heavy duty spanner wrench type, gasketed and threaded cover with nickel bronze frame, cast iron cleanout ferrule with bronze taper thread plug.

OPTIONS (Check/specify appropriate options)

OUTLET (Specify type)

_____ IC Inside Caulk

PIPE SIZE (Specify size)

_____ 2" thru 6"

**'E' BODY HT.
DIMENSION**

3-1/4"

PREFIXES

- _____ **ZAB-** Bronze with Polished Scoriated Top*
- _____ **ZANB-** Nickel Bronze with Polished Scoriated Top

SUFFIXES

- _____ **-DX** Dex-o-tex Flange
- _____ **-SP** Spanner Wrench

*REGULARLY FURNISHED UNLESS OTHERWISE SPECIFIED

REV. _____	DATE: <u>8/2/94</u>	C.N. NO. <u>69927</u>
DWG. NO. <u>P-14012</u>	PRODUCT NO. <u>Z-1456-76</u>	