



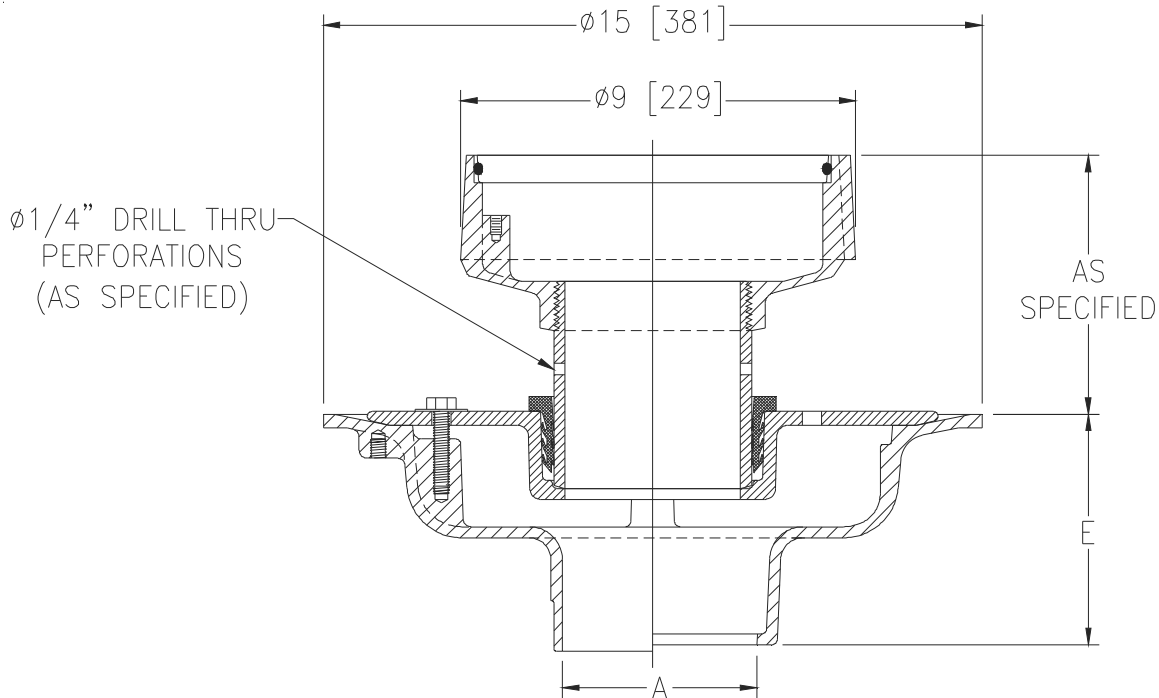
Z624-104

ISOLATION DECK DRAIN WITH PERFORATED NIPPLE AND SOLID GASKETED COVER

SPECIFICATION SHEET

TAG _____

Dimensional Data (inches and [mm]) are Subject to Manufacturing Tolerances and Change Without Notice



A Pipe Size	Approx. Wt. Lbs. [kg]
2, 3, 4 [51, 76, 102]	42 [19]
5, 6 [127, 152]	

ENGINEERING SPECIFICATION: ZURN Z624-104

Floating slab drain, Dura-Coated cast iron upper and lower bodies, clamp collar with weep holes, neoprene flex gasket, perforated isolation nipple and solid gasketed cover.

OPTIONS (Check/specify appropriate options)

PIPE SIZE

- 2 thru 6 [51 thru 152]
- 2 thru 4, 6 [51 thru 102, 152]
- 2 thru 6 [51 thru 152]
- 2 thru 6 [51 thru 152]
- 2 thru 4 [51 thru 102]

(Specify size/type) **OUTLET**

- ___ IC Inside Caulk
- ___ IG Inside Gasket
- ___ IP Threaded
- ___ NH No-Hub
- ___ NL Neo-Loc

'E' BODY HT. DIM.

- 5-1/4 [133]
- 5-1/4 [133]
- 3-3/4 [95]
- 5-1/4 [133]
- 4-5/8 [117]

PREFIXES

- ___ Z D.C.C.I. Body and Top*
- ___ ZB D.C.C.I Body w/ Polished Bronze Top (Add 3/16 [5] to 4-15/16 [125] Dim)
- ___ ZN D.C.C.I Body w/ Polished Nickel Bronze Top (Add 3/16 [5] to 4-15/16 [125] Dim)

SUFFIXES

- ___ -C Underdeck Clamp (Lower Body)
- ___ -DX Dex-o-tex Flange (Upper Body)
- ___ -G Galvanized Cast Iron
- ___ -K Seepage Pan (Upper Body)
- ___ -KC Seepage Pan with Clamp Collar (Upper Body)
- ___ -LH Less Weep Holes in Clamp Collar
- ___ -R Sump Receiver (Lower Body)
- ___ -SD Longer Standpipe (Specify Height Required)
- ___ -TS Top Secured with Slotted Screws
- ___ -VP Vandal-Proof Secured Top
- ___ -Y Sediment Bucket (Upper Body)

*REGULARLY FURNISHED UNLESS OTHERWISE SPECIFIED

REV.	DATE: 04/24/13	C.N. NO. 129217
PROD./DWG. NO. Z624-104		