



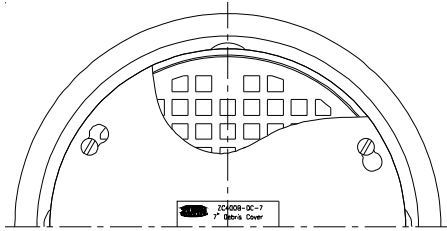
Z415B-DC

BODY ASSEMBLY W/ "TYPE B" STRAINER & DEBRIS COVER

SPECIFICATION SHEET

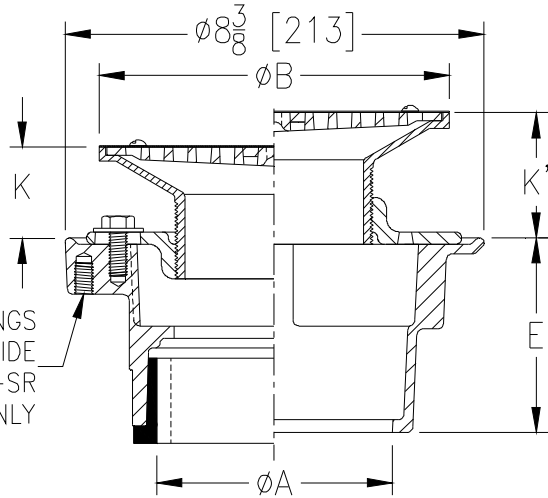
TAG _____

Dimensional Data (inches and [mm]) are Subject to Manufacturing Tolerances and Change Without Notice



7" Top Illustrated

FOUR $\frac{3}{8}$ -16NC TAPPINGS
PROVIDED ON UNDERSIDE
FOR -SA, -SQ, AND -SR
SUFFIX OPTIONS ONLY



Dimensions In Inches						Approx. Wt. Lbs. [kg]	Strainer Open Area Sq. In. [cm ²] (After Removal of Debris Cover)
A Pipe Size	B Strainer Dia.	K		K'			
		Min.	Max.	Min.	Max.		
2-3 [51-76]	5 [127]	1/2 [13]	1-5/8 [41]	1-3/8 [35]	2-3/8 [60]	11 [5]	8 [52]
2-3-4 [51-76-102]	6 [152]	3/4 [19]	1-3/4 [44]	1-5/8 [41]	2-3/4 [70]	13 [6]	9 [58]
2-3-4 [51-76-102]	7 [178]	1 [25]	2-1/4 [57]	2 [51]	3-1/8 [79]	14 [6]	12 [77]
3-4 [76-102]	8 [203]	1-1/8 [29]	2-1/4 [57]	2 [51]	3-1/8 [79]	16 [7]	18 [116]
6 [152]	8 [203]	1-1/8 [29]	2-1/4 [57]	2 [51]	3-1/8 [79]	18 [8]	18 [116]
6 [152]	10 [254]	1-5/8 [41]	2-5/8 [67]	2-5/8 [67]	3-1/2 [89]	22 [10]	26 [168]

ENGINEERING SPECIFICATION: ZURNZN415B-DC

Floor and shower drain, Dura-Coated cast iron body with bottom outlet, combination invertible membrane clamp and adjustable collar with seepage slots, "TYPE B" polished nickel bronze strainer and galvanized steel construction debris cover.

OPTIONS (Check/specify appropriate options)

PIPE SIZE

- 2 thru 4 [51 thru 102]
- 2 thru 4 [51 thru 102]
- 2 [51]
- 3 [76]
- 4 [102]
- 6 [152]
- 2 thru 4 [51 thru 102]
- 2 thru 4 [51 thru 102]

(Specify size/type) **OUTLET**

- _____ IC Inside Caulk
- _____ IG Inside Gasket
- _____ IP Threaded
- _____ IP Threaded
- _____ IP Threaded
- _____ IP Threaded
- _____ NH No-Hub
- _____ NL Neo-Loc

'E' BODY HT. DIM.

- 3-7/8 [98]
- 3-7/8 [98]
- 2-3/8 [60]
- 2-5/8 [67]
- 2-7/8 [73]
- 2-3/4 [70]
- 3-7/8 [98]
- 3-3/4 [95]

PREFIXES

- _____ ZB D.C.C.I. Body Assembly w/ Polished Bronze Top
- _____ ZN D.C.C.I. Body Assembly w/ Polished Nickel Bronze Top*

SUFFIXES

- | | |
|---|---|
| <ul style="list-style-type: none"> _____ -AA All Acid Resisting Epoxy _____ -AR Acid Resisting Epoxy Coated Cast Iron _____ -CP Chrome-Plated Bronze Top _____ -DP Decorative Polished Top _____ -EF 3/16 [5] Extension Frame _____ -G Galvanized Cast Iron _____ -HD Heavy-Duty Slotted Grate (ZN 5 [127] & 6 [152] Sizes Only) _____ -OF Oval Funnel (Z329-7) (6-10 [152-254] Strainers Only) _____ -P Trap Primer Connection (Specify 1/2 [13] or 3/4 [19]) _____ -SA Z1035 Stabilizer Assembly (NH & NL Outlets only) _____ -SQ Z1035-Q Stabilizer Assembly (NH & NL Outlets only) _____ -SR Stabilizer Ring _____ -TC Neo-Loc Test Cap Gasket (2-4 [51-102] NL Outlet Only) | <ul style="list-style-type: none"> _____ -U 1-3 [25-76] High Extension Adapter _____ -V Backwater Valve _____ -VP Vandal-Proof Secured Top _____ -W Winter Closure Plug _____ -Y Sediment Bucket _____ -4 4 [102] Diameter Funnel (Z328) _____ -18 Leveling Ring (See Z400-18) _____ -90 90° Threaded Side Outlet Body Assembly (2 [51], 3 [76] Only) |
|---|---|

*REGULARLY FURNISHED UNLESS OTHERWISE SPECIFIED

REV. D	DATE: 1/13/12	C.N. NO. 122644
DWG. NO. 84014	PRODUCT NO. Z415B-DC	

ZURN INDUSTRIES, LLC. ♦ SPECIFICATION DRAINAGE OPERATION ♦ 1801 Pittsburgh Ave. ♦ Erie, PA 16514

Phone: 814/455-0921 ♦ Fax: 814/454-7929 ♦ World Wide Web: www.zurn.com

In Canada: ZURN INDUSTRIES LIMITED ♦ 3544 Nashua Drive ♦ Mississauga, Ontario L4V1L2 ♦ Phone: 905/405-8272 Fax: 905/405-1292