



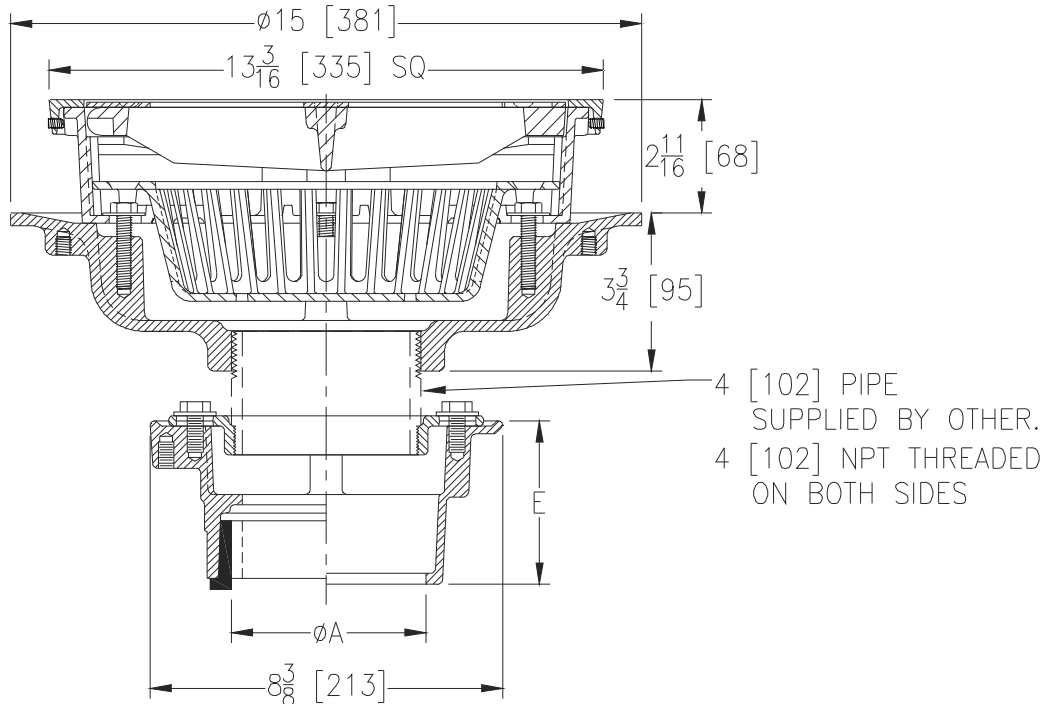
Z610-143

12 [305] HEAVY-DUTY DRAIN
W/HEEL-PROOF VENEER AND Z415 LOWER BODY

SPECIFICATION SHEET

TAG _____

Dimensional Data (inches and [mm]) are Subject to Manufacturing Tolerances and Change Without Notice



A Pipe Size	Approx. Wt. Lbs. [kg]	Grate Open Area Sq. In. [cm ²]
2,3,4 [51,76,102,127,152]	84 [38]	21 [135]

ENGINEERING SPECIFICATION: ZURN Z610-143

12" [305mm] Square top drain, Dura-Coated cast iron body with bottom outlet, seepage pan and combination membrane flashing clamp and frame for heavy-duty cast iron vandal-proof, slotted grate, with suspended polypropylene sediment bucket, heel-proof veneer cover and dura-coated lower body with reversible clamp collar.

OPTIONS (Check/specify appropriate options)

PIPE SIZE

- 2,3,4 [51,76,102]
- 2,3,4 [51,76,102]
- 2 [51]
- 3 [76]
- 4 [102]
- 2,3,4 [51,76,102]
- 2,3,4 [51,76,102]

(Specify size/type) **OUTLET**

- _____ IC Inside Caulk
- _____ IG Inside Gasket
- _____ IP Threaded
- _____ IP Threaded
- _____ IP Threaded
- _____ NH No-Hub
- _____ NL Neo-Loc

'E' BODY HT. DIM.

- 4-3/16 [106]
- 4-3/16 [106]
- 2-7/16 [62]
- 2-3/4 [70]
- 2-13/16 [71]
- 3-13/16 [97]
- 3-7/8 [98]

PREFIXES

- _____ ZB D.C.C.I Body w/Polished Bronze Top*
- _____ ZN D.C.C.I Body w/Polished Nickel Bronze Top

SUFFIXES

- _____ -AR Acid Resistant Epoxy Coated Cast Iron
- _____ -C Underdeck Clamp (Lower Body)
- _____ -DG Duresist Grate
- _____ -DX Dex-o-tex Flange (ZB, ZN Only)
- _____ -F 2 [51] High Extension
- _____ -G Galvanized Cast Iron
- _____ -H Hinged Grate
- _____ -HL Hinged Locking Grate
- _____ -LY (Less) Sediment Bucket
- _____ -P Trap Primer Connection
- _____ -S Secondary Strainer
- _____ -R Sump Receiver (Lower Body)
- _____ -SS Stainless Steel Mesh Liner for Bucket
- _____ -TS Top Secured with Slotted Screws
- _____ -V Backwater Valve (See Z1099)
- _____ -YA Aluminum Sediment Bucket
- _____ -YC Cast Iron Sediment Bucket

* Regularly furnished unless otherwise specified.