

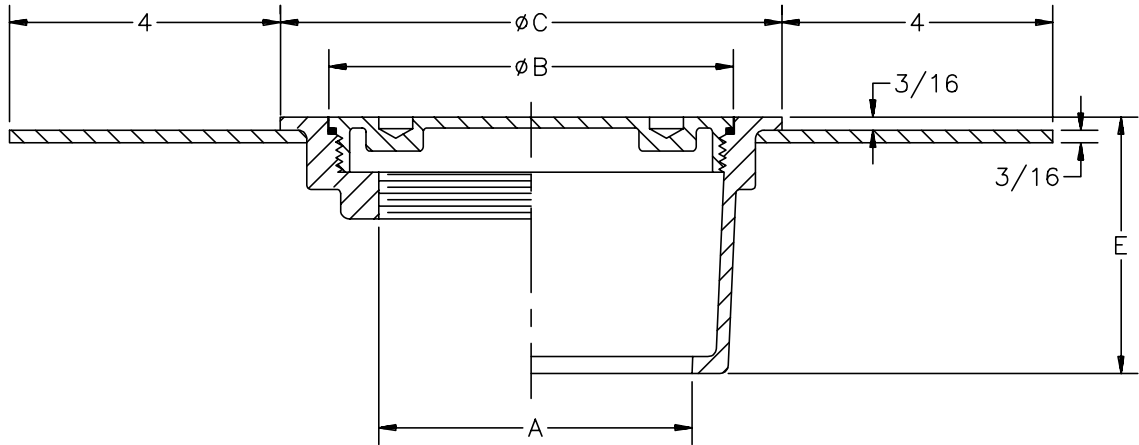


Z-1745-76

TAG _____

FLOOR CLEANOUT WITH O-RING SEAL PLUG

Dimensional Data (inches and [mm]) are Subject to Manufacturing Tolerances and Change Without Notice



Dimensions in Inches			Approx. Wt. Lbs.
A- Pipe Size	B	C	
2	2-3/4	4	6
3	3-1/2	4-7/8	
4	4-1/2	4	
5	7-7/8	9-3/8	10
6	9-7/8	11	

ENGINEERING SPECIFICATION: ZURN Z-1745-76

All Type 304 (CF8) stainless steel cleanout body with dex-o-tex flange and plug with O-ring seal, Plug is scoriated with satin finish. Spanner wrench provided for each plug size.

OPTIONS (Check/specify appropriate options)

OUTLET (Specify type)

- _____ **BW** Buttweld
- _____ **BW** Buttweld
- _____ **IC** Inside Caulk

PIPE SIZE (Specify size)

- _____ 2" thru 4", 6"
- _____ 8"
- _____ 2" thru 4", 6"

'E' BODY HT. DIMENSIONS

- 1-5/8"
- 2-1/2"
- 3-3/8"

PREFIXES

- _____ **Z-** Type 304 (CF8) Stainless Steel*
- _____ **ZC-** Type A-27 Carbon Steel (P.O.A.)
- _____ **ZM-** Type 306 (CF8M) Stainless Steel

SUFFIXES

- _____ **-SW** Bronze Spanner Wrench

REV.	DATE: 6/15/94	C.N. NO. 69841
DWG. NO. P-13993 PRODUCT NO. Z-1745-76		

*REGULARLY FURNISHED UNLESS OTHERWISE SPECIFIED