



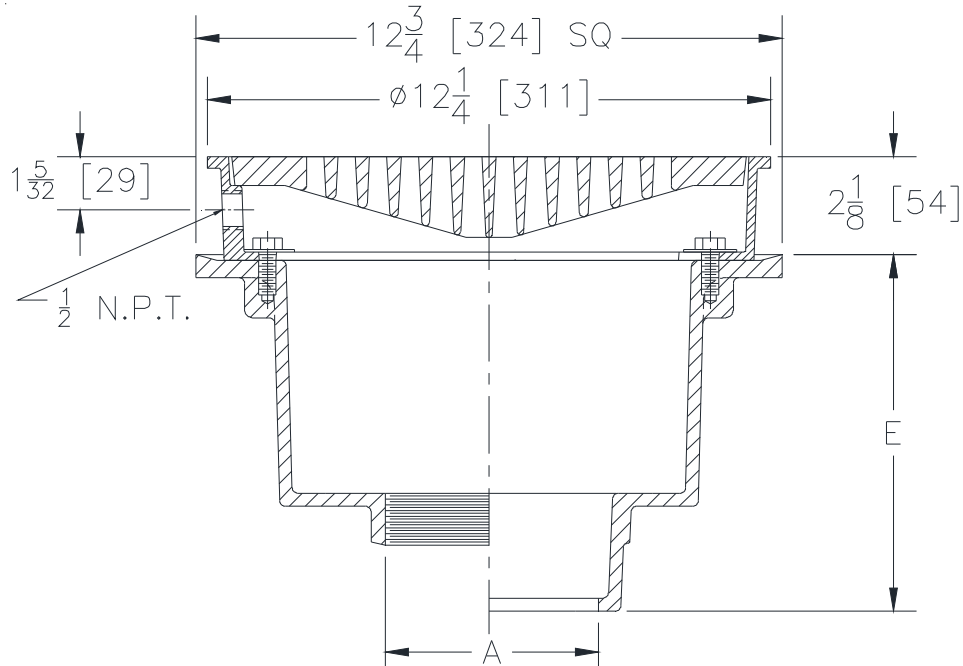
# Z512-87

12-1/4 [311] HEAVY-DUTY DRAIN WITH TRAP PRIMER  
IN FRAME

SPECIFICATION SHEET

TAG \_\_\_\_\_

Dimensional Data (inches and [ mm ]) are Subject to Manufacturing Tolerances and Change Without Notice



A- Pipe Size In.[mm]	Approx. Wt. Lbs. [kg]	Grate Open Area Sq. In. [cm <sup>2</sup> ]
3, 4, 6 [76, 102, 152]	44 [20]	30 [194]

**ENGINEERING SPECIFICATION: ZURN Z512-87**

12-1/4" [311mm] Diameter top drain, Dura-Coated cast iron deep sump body with bottom outlet, seepage pan and combination flashing clamp and frame W/ 1/2" N.P.T. trap primer connection for anti-tilt heavy-duty slotted tractor grate.

**OPTIONS** (Check/specify appropriate options)

**PIPE SIZE**

- 4, 6 [102, 152]
- 4, 6 [102, 152]
- 4, 6 [102, 152]
- 3, 4, 6 [76, 102, 152]
- 3, 4 [76, 102]

(Specify size/type) **OUTLET**

- \_\_\_\_\_ IC Inside Caulk
- \_\_\_\_\_ IG Inside Gasket
- \_\_\_\_\_ IP Threaded
- \_\_\_\_\_ NH No-Hub
- \_\_\_\_\_ NL Neo-Loc

**'E' BODY HT. DIM.**

- 7-3/4 [197]
- 7-3/4 [197]
- 6-5/16 [160]
- 7-13/16 [198]
- 7-1/4 [184]

**PREFIXES**

- \_\_\_\_\_ Z D.C.C.I. Body and Top\*
- \_\_\_\_\_ ZB D.C.C.I. Body with Polished Bronze Top (Add 3/16 [5] to 2-1/8 [54] Dim. and 3/4 [20] to 12-1/4 [311] Dim.)
- \_\_\_\_\_ ZN D.C.C.I. Body with Polished Nickel Bronze Top (Add 3/16 [5] to 2-1/8 [54] Dim. and 3/4 [20] to 12-1/4 [311] Dim.)

**SUFFIXES**

- \_\_\_\_\_ -AR Acid Resisting Epoxy Coated Cast Iron
- \_\_\_\_\_ -DG Duresist Grate
- \_\_\_\_\_ -G Galvanized Cast Iron
- \_\_\_\_\_ -S Secondary Strainer
- \_\_\_\_\_ -SS Stainless Mesh Liner for Bucket
- \_\_\_\_\_ -T Square Top
- \_\_\_\_\_ -TC Neo-Loc Test Cap Gasket (3, 4 [76, 102] NL Bottom Outlet Only)
- \_\_\_\_\_ -TS Top Secured with Slotted Screws
- \_\_\_\_\_ -VP Vandal-Proof Secured Top
- \_\_\_\_\_ -Y Sediment Bucket

\* Regularly furnished unless otherwise specified.