



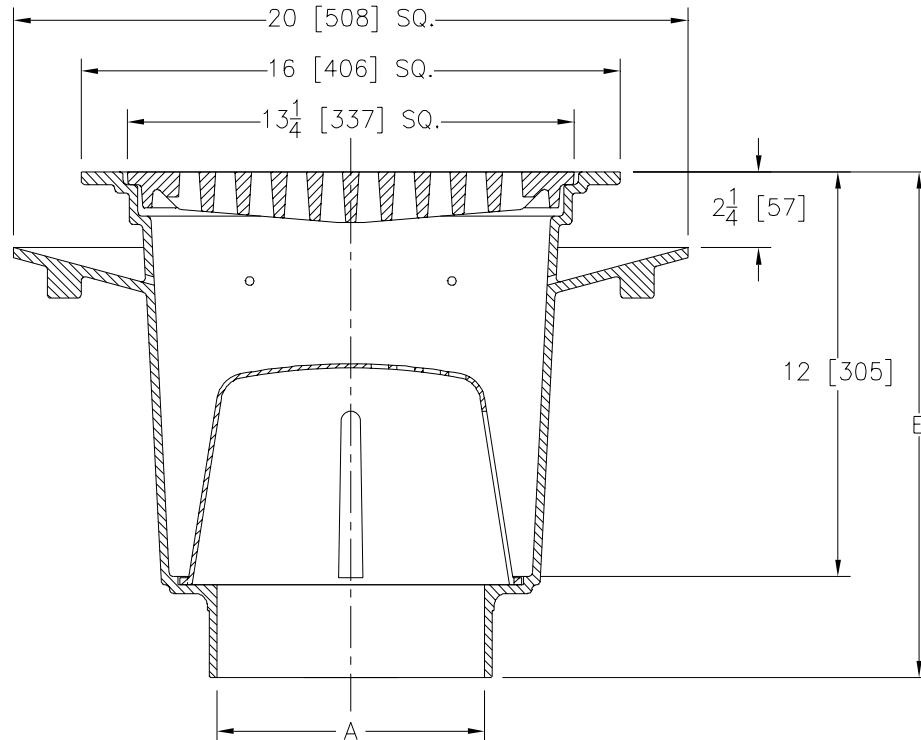
Z1926-79

SPECIFICATION SHEET

16 X 16 [406 X 406] SANI-FLOR RECEPTOR 12 [305] SUMP DEPTH

TAG _____

Dimensional Data (inches and [mm]) are Subject to Manufacturing Tolerances and Change Without Notice



A- Pipe Size In.	Approx Wt. Lbs. [kg]	Grate Open Area Sq. In. [cm ²]
8 [203]	150 [68]	54 [348]

ENGINEERING SPECIFICATION: ZURNZ1926-79

Sani-Flor Receptor 16 x 16 x 12 [406 x 406 x 305] deep dura-coated cast iron body and square slotted heavy-duty grate, with aluminum anti-splash interior bottom dome strainer.

OPTIONS (Check/specify appropriate options)

PIPE SIZE

8 [203]

(Specify size) **OUTLET**

_____ NH No-Hub

'E' BODY HT. DIMENSION

Z

14 7/8 [378]

ZN

15 1/8 [384]

PREFIXES

- _____ Z D.C.C.I. Body*
- _____ ZN D.C.C.I. Body with 16 11/16 [424] Square N.B. Frame and Full Grate

SUFFIXES

- _____ -C Clamp Collar
- _____ -DG Duresist Grate
- _____ -LD Less Bottom Dome Strainer
- _____ -P 1/2 [13] Trap Primer Connection
- _____ -1 Less Grate
- _____ -2 1/2 Grate
- _____ -3 3/4 Grate
- _____ -4 Full Grate with 3 3/4 [95] Center Opening
- _____ -5 Grate w/ 4 [102] Dia. x 3 3/4 [95] High Funnel
- _____ -6 Grate w/ 6 [152] Dia. x 6 [152] High Funnel
- _____ -7 Grate w/ 6 3/4 x 3 x 1 [171 x 76 x 25] High Oval Funnel
- _____ -8 Grate w/ 8 7/8 x 3 5/8 x 3 3/4 [225 x 92 x 95] High Oval Funnel
- _____ -11 Vandal-Proof Secured Grate
- _____ -15 Solid Loose Set Cover
- _____ -16 1/2 Solid Loose Set Cover
- _____ -17 3/4 Solid Loose Set Cover
- _____ -18 Solid Loose Set Cover with 2 [51] Square Center Opening
- _____ -23 Aluminum Bucket
- _____ -25 White A.R.C. Bucket
- _____ -31 Stainless Steel Mesh Liner for Bucket
- _____ -32 Aluminum Dome Strainer
- _____ -33 White A.R.C. Anti-Splash Bottom Dome Strainer

*REGULARLY FURNISHED UNLESS OTHERWISE SPECIFIED

REV. DATE: 4/11/08 C.N. NO. 98356

DWG. NO. P-15536 PRODUCT NO. Z1926-79

ZURN INDUSTRIES, LLC. ♦ SPECIFICATION DRAINAGE OPERATION ♦ 1801 Pittsburgh Ave. ♦ Erie, PA 16514

Phone: 814/455-0921 ♦ Fax: 814/454-7929 ♦ World Wide Web: www.zurn.com

In Canada: ZURN INDUSTRIES LIMITED ♦ 3544 Nashua Drive ♦ Mississauga, Ontario L4V1L2 ♦ Phone: 905/405-8272 Fax: 905/405-1292