



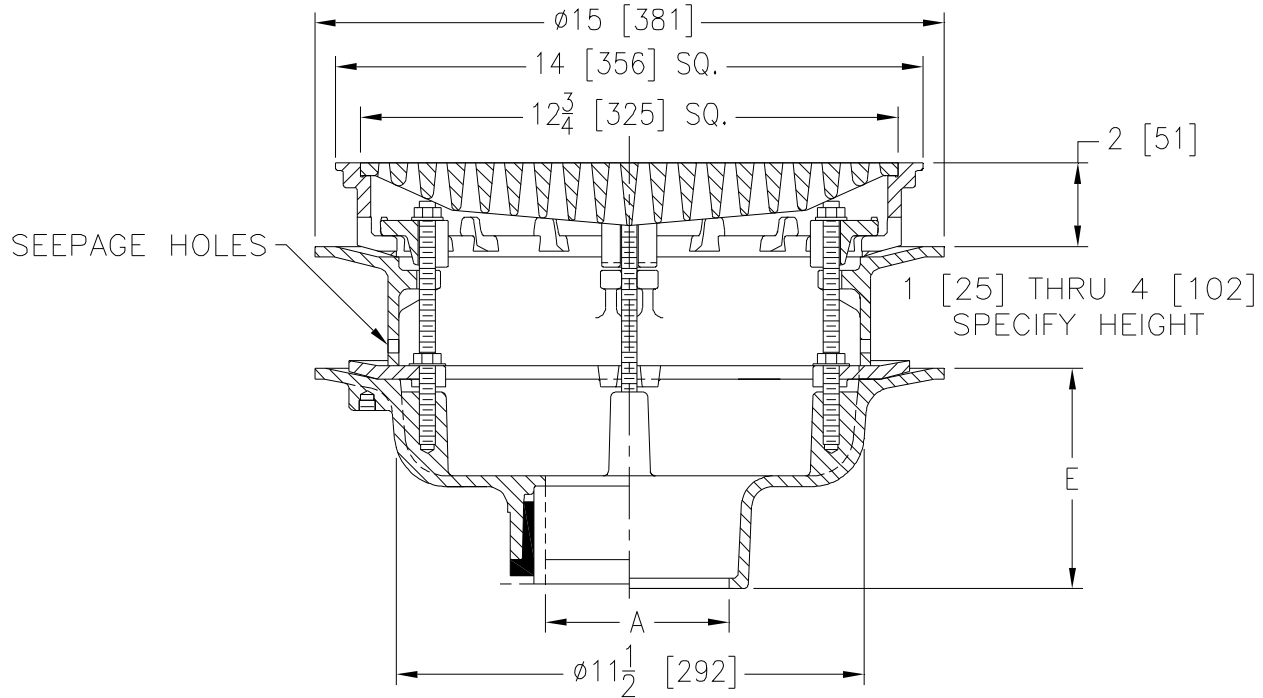
Z150-E-SC

14 [356] SQUARE TOP PROM-DECK DRAIN W/ STATIC EXTENSION, SECONDARY CLAMP COLLAR, HEEL PROOF GRATE, AND ROTATABLE FRAME

SPECIFICATION SHEET

TAG _____

Dimensional Data (inches and [mm]) are Subject to Manufacturing Tolerances and Change Without Notice



A Pipe Size in [mm]	Approx Wt. lbs [kg]	Grate Open Area in ² [cm ²]
2,3,4 [51,76,102]	68 [31]	44 [284]
6 [152]		
8 [203]	70 [32]	

ENGINEERING SPECIFICATION: ZURN Z150-E-SC

14" [356mm] Square top Prom-Deck drain, Dura-Coated cast iron body, secondary clamp collar, static extension with seepage holes, rotatable square promenade frame with seepage openings, frame clamps, and heavy-duty heel-proof grate.

OPTIONS (Check/specify appropriate options)

PIPE SIZE

2,3,4,6 [51,76,102,152]
 2,3,4,6, 8 [51,76,102,152,203]
 2,3,4,6, 8 [51,76,102,152,203]
 2,3,4 [51,76,102]

(Specify size/type) **OUTLET**

_____ IC Inside Caulk
 _____ IP Threaded
 _____ NH No-Hub
 _____ NL Neo-Loc

E BODY HT. DIM.

5-1/4 [133]
 3-3/4 [95]
 5-1/4 [133]
 4-5/8 [117]

PREFIXES

_____ Z D.C.C.I. Body with Top*
 _____ ZB D.C.C.I. Body with Polished Bronze Top (Add 3/16 [5] to 2 [51] Dim & 3/8 [10] to 14 [356] Dim.)
 _____ ZN D.C.C.I. Body with Polished Nickel Bronze Top (Add 3/16 [5] to 2 [51] Dim & 3/8 [10] to 14 [356] Dim.)

SUFFIXES

_____ -AR Acid Resistant Epoxy Coated	_____ -EB Top-Set® Adjustable Extension Assembly
_____ -C Underdeck Clamp	_____ -G Galvanized Cast Iron
_____ -DE Deck Extension (Includes Deck Plate -DP)	_____ -R Roof Sump Receiver
_____ -DG Duresist Grate	_____ -S Secondary Strainer
_____ -DP Top-Set® Roof Deck Plate (Replaces both -C and -R)	_____ -TC Neo-Loc Test Cap Gasket (2,3,4 [51,76,102] NL Bottom Outlet Only)
_____ -DR Top-Set® Drain Riser	_____ -TS Top Secured with Slotted Screws
_____ -DT Decorative Polished Top (ZN and ZB Only)	_____ -VP Vandal Proof Secured Top
_____ -EA Adjustable Extension Assembly 2-1/8 [54] thru 3-1/2 [89]	_____ -XJ Vertical Expansion Joint (See Z190)
	_____ -Y Sediment Bucket
	_____ -90 90° Threaded Side Outlet Body

* Regularly furnished unless otherwise specified.

Zurn Industries, LLC | Specification Drainage Operation
 1801 Pittsburgh Avenue, Erie, PA U.S.A. 16502 · Ph. 855-663-9876, Fax 814-454-7929

In Canada | Zurn Industries Limited
 3544 Nashua Drive, Mississauga, Ontario L4V 1L2 · Ph. 905-405-8272, Fax 905-405-1292

www.zurn.com

Rev. E
 Date: 10/4/2017
 C.N. No. 138394
 Prod. | Dwg. No. Z150-E-SC