



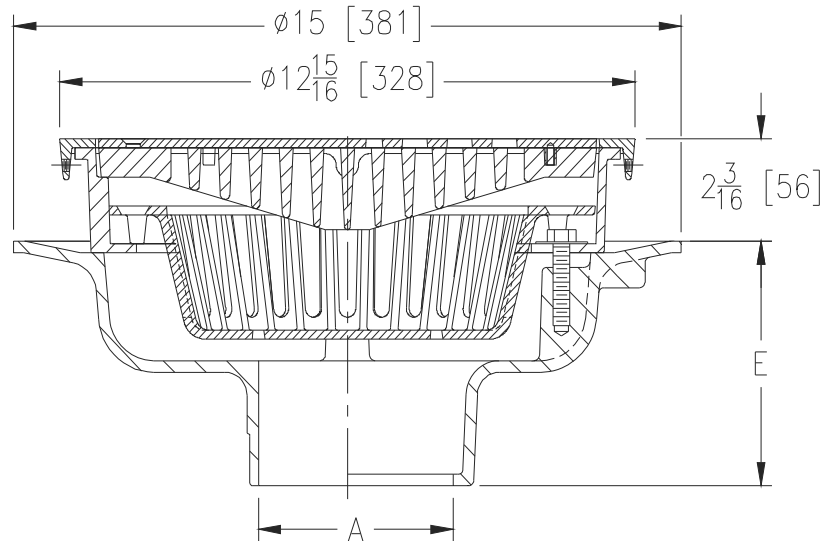
Z541-133

12 [305] DIAMETER HEAVY-DUTY DRAIN W/
GREY ACID RESISTING EPOXY COATED CAST IRON
AND STAINLESS STEEL VENEER FRAME & GRATE

SPECIFICATION SHEET

TAG _____

Dimensional Data (inches and [mm]) are Subject to Manufacturing Tolerances and Change Without Notice



A- Pipe Size In.	Approx. Wt. Lbs. [kg]	Grate Open Area Sq. In. [cm ²]
2-3-4 [51-76-102]	51 [19]	30 [194]
5-6 [127-152]	52 [19]	
8-10 [203-254]	53 [20]	

ENGINEERING SPECIFICATION: ZURN Z541-133

12 [305] Diameter top drain. Grey Acid resisting epoxy coated cast iron body with bottom outlet, seepage pan and combination membrane flashing clamp and frame for anti-tilt heavy-duty slotted grate, stainless steel veneer frame & grate with suspended polypropylene sediment bucket.

OPTIONS (Check/specify appropriate options)

Pipe Size (ØA)

(Specify size/type) **OUTLET**

'E' BODY HT. DIM.

2-3-4-5-6-8-10 [51-76-102-127-152-203-254]	___ IC	Inside Caulk	5-1/4 [133]
2-3-4-5-6 [51-76-102-127-152]	___ IG	Inside Gasket	5-1/4 [133]
2-3-4-5-6-8-10 [51-76-102-127-152-203-254]	___ IP	Threaded	3-3/4 [95]
2-3-4-5-6-8-10 [51-76-102-127-152-203-254]	___ NH	No-Hub	5-1/4 [133]
2-3-4 [51-76-102]	___ NL	Neo-Loc	4-5/8 [117]

Prefixes

___ ZS D.C.C.I. Body with Polished Stainless Steel Veneer Frame & Grate

Suffixes

___ -DG	Duresist Grate	___ -TG	Tractor Grate
___ -DX	Dex-o-tex Flange	___ -TS	Top Secured with Slotted Screws
___ -H	Hinged Grate	___ -V	Backwater Valve (See Z1099)
___ -HP	Heel-Proof Grate	___ -VP	Vandal-Proof Secured Top
___ -LY	(Less) Sediment Bucket	___ -YC	Cast Iron Sediment Bucket
___ -P	Trap Primer Connection	___ -90	90° Threaded Side Outlet Body (2 thru 6 [51 thru 152])
___ -S	Secondary Strainer		
___ -SA	Stabilizer Assembly (See Z1036)		
___ -SS	Stainless Mesh Liner for Bucket		
___ -TC	Neo-Loc Test Cap Gasket (2 [51] - 4 [102] NL Bottom Outlet Only)		

* Regularly furnished unless otherwise specified.