



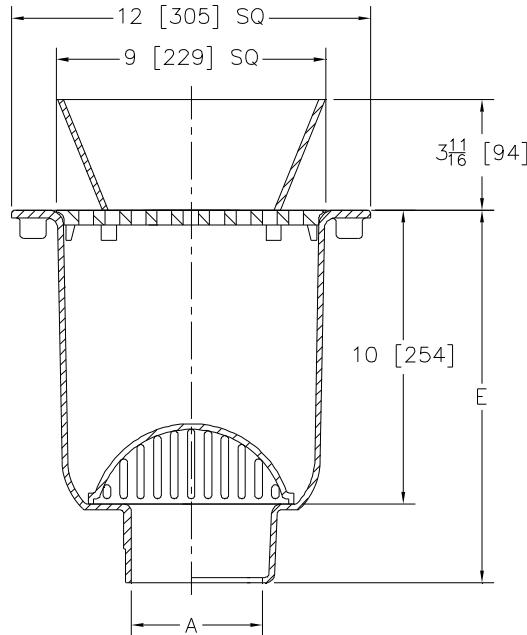
Z1902-8

12 X 12 [305 X 305] A.R.E. SANI-FLOR RECEPTOR,
 10 [254] SUMP DEPTH W/ GRATE &
 8-7/8 X 3-5/8 X 3-3/4 [225 X 92 X 95] HIGH OVAL FUNNEL

SPECIFICATION SHEET

TAG _____

Dimensional Data (inches and [mm]) are Subject to Manufacturing Tolerances and Change Without Notice



A- Pipe Size In. [mm]	Approx Wt. Lbs.[kg]	Grate Open Area Sq. In. [cm ²]
2,3,4 [51,76,102]	36 [13]	31 [200]

ENGINEERING SPECIFICATION: ZURN Z1902-8

Sani-Flor receptor 12" x 12" x 10" [305mm x 305mm x 254mm] deep cast iron body and grate w/ 8-7/8" x 3-5/8" x 3-3/4" [225mm x 92mm x 95mm] high oval funnel, with white acid resisting porcelain enamel interior and top, and black ground enamel exterior coating, complete with ABS anti-splash interior bottom dome strainer.

OPTIONS (Check/specify appropriate options)

PIPE SIZE

- 3, 4 [76, 102]
- 2, 3, 4 [51, 76, 102]
- 2, 3, 4 [51, 76, 102]

(Specify size/type) OUTLET

- ___ IC Inside Caulk
- ___ NH No-Hub
- ___ NL Neo-Loc

'E' BODY HT. DIMENSION

Z	ZN / ZS
12-5/8 [321]	13-1/8 [333]
12-5/8 [321]	13-1/8 [333]
12 [305]	12-1/2 [318]

PREFIXES

- ___ Z Cast Iron Body w/ White A.R.E. Interior*
- ___ ZN Cast Iron Body w/ White A.R.E. Interior, 12-1/2 [318] Square Nickel Bronze Frame and Full Grate with 1/2 [13] Openings
- ___ ZS Cast Iron Body w/ White A.R.E. Interior, 12-1/2 [318] Square Stainless Steel Frame and Full Grate with 1/2 [13] Openings

SUFFIXES

- | | |
|---|--|
| ___ -DX Dex-O-Tex Flange (ZN Only) | ___ -VPS Vandal-Proof Strainer |
| ___ -HD Stainless Steel Frame w/ Extra Heavy-Duty Stainless Steel Grate (ZS Only) | ___ -2 1/2 Grate |
| ___ -HP Heel-Proof Grate (ZN Only) | ___ -3 3/4 Grate |
| ___ -K Anchor Flange | ___ -4 Full Grate w/ Center Opening (2 [51] Dia. for Z) and (3-1/32 [77] Square for ZN & ZS) |
| ___ -KC Anchor Flange w/ Seepage Holes and Clamp Collar | ___ -23 Aluminum Bucket |
| ___ -LD Less Bottom Dome Strainer | ___ -25 White A.R.C. Bucket |
| ___ -P 1/2 [13] Trap Primer Connection (See Z1023) | ___ -31 Stainless Steel Mesh Liner for Bucket |
| ___ -SA Stabilizer Assembly (See Z1903) | ___ -32 Aluminum Dome Strainer |
| ___ -TC Neo-Loc Test Cap Gasket (2, 3, 4 [51, 76, 102] NL Bottom Outlet Only) | ___ -33 White A.R.C. Anti-Splash Bottom Dome Strainer |

* Regularly furnished unless otherwise specified.