



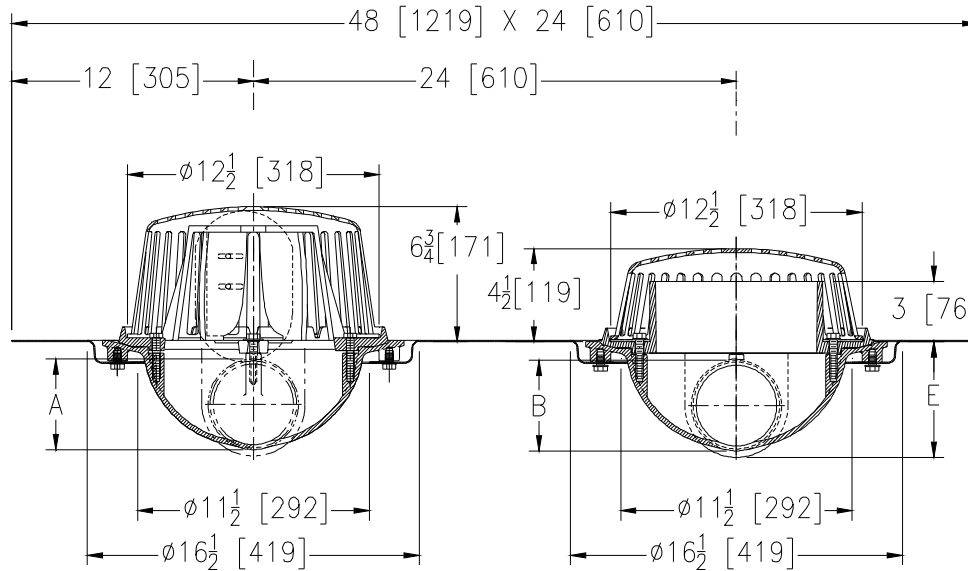
Z163-91

15[381] DIAMETER COMBINATION CONTROL-FLO AND OVERFLOW DRAIN W/ DOUBLE TOP-SET® DECK PLATE, AND ADJUSTABLE PLATE ON WEIR FOR 4.75 GPM/IN

SPECIFICATION SHEET

TAG _____

Dimensional Data (inches and [mm]) are Subject to Manufacturing Tolerances and Change Without Notice



| A Pipe Size In. [mm] | Approx. Wt. Lbs. [kg] | Dome Open Area Sq. In. [cm ²] |
|-----------------------------------|-----------------------------|--|
| 2,3,4, 5, 6 [51,76,102, 127, 152] | 36 [16] | 148 [954] |

| B Pipe Size In. [mm] | Approx. Wt. Lbs. [kg] | Dome Open Area Sq. In. [cm ²] |
|----------------------------|-----------------------------|--|
| 2,3,4 [51,76,102] | 44 [20] | 103 [665] |
| 5,6 [127,152] | 41 [19] | |

ENGINEERING SPECIFICATION: ZURN Z163-91
 15" [381mm] Diameter Control-Flo and overflow drain, Dura-Coated cast iron bodies, Control-Flo drain with adjustable notch in weir is linear functioning for 4.75 GPM/in with integral membrane flashing clamp/gravel guard, combination membrane flashing clamp/gravel guard and aluminum dome. Overflow drain has internal water dam, integral membrane flashing clamp/gravel guard, Poly-Dome and double Top-Set® deck plate.

OPTIONS (Check/specify appropriate options)

PIPE SIZE

2,3,4 [51,76,102]
 5,6 [127,152]

(Specify size/type) **OUTLET**

_____ IP Threaded
 _____ IP Threaded

E BODY HT. DIM.

5-3/4 [136]
 7-7/8 [200]

PREFIXES

- ___ Z D.C.C.I. Body with Poly-Dome on overflow*
- ___ ZA D.C.C.I. Body with Aluminum Dome on overflow
- ___ ZC D.C.C.I. Body with Cast Iron Dome on overflow
- ___ ZRB D.C.C.I. Body with Plain Bronze Dome on overflow

SUFFIXES

- ___ -AR Acid Resistant Epoxy Coated Finish
- ___ -BS Bronze Mesh Screen Over Dome
- ___ -DR Top-Set® Drain Riser
- ___ -E Static Extension 1 thru 4 [25 thru 102] (Specify Ht.)
- ___ -EA Adjustable Extension Assembly
2-1/8 thru 3-1/2 [54 thru 89]
- ___ -G Galvanized Cast Iron
- ___ -GD Galvanized Cast Iron Dome
- ___ -HD 6-3/4 [171] High Aluminum Dome Strainer
(148 sq. in. open area) (ZA only)
- ___ -SC Secondary Clamping Collar
- ___ -SS Stainless Steel Mesh Screen Over Dome
- ___ -VP Vandal Proof Secured Top

* Regularly furnished unless otherwise specified.