



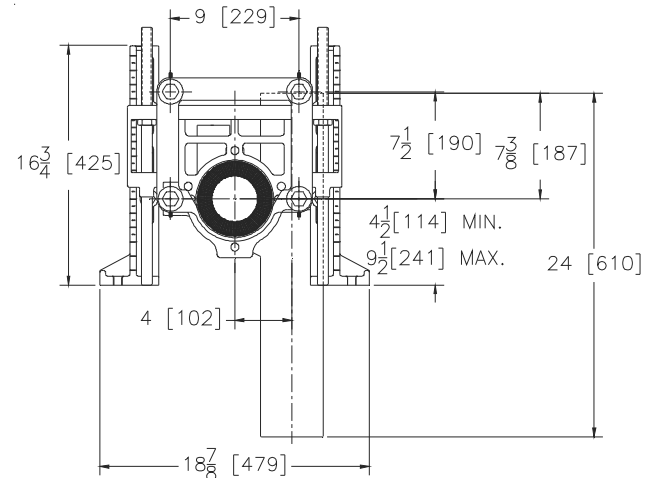
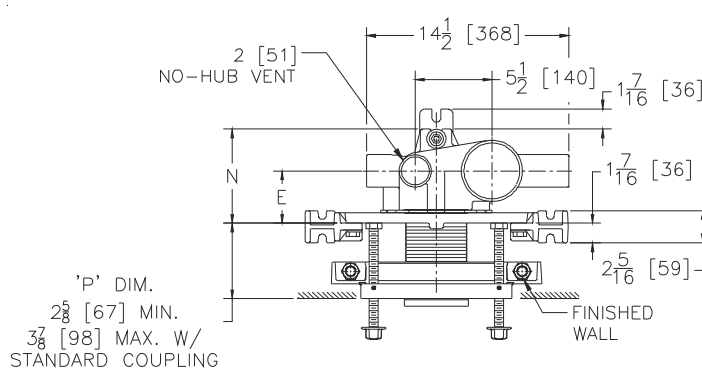
Z1209-101

VERTICAL OFFSET SIPHON JET 500 LBS. [227 KG]
 WATER CLOSET SUPPORT SYSTEM WITH HEAVY-DUTY
 REAR ANCHOR BAR AND BARIATRIC FRAME

SPECIFICATION SHEET

TAG _____

Dimensional Data (inches and [mm]) are Subject to Manufacturing Tolerances and Change Without Notice



Product No.	Dimension in Inches [mm]		Approx. Wt. Lbs. [kg]
	E	N	
Z1209-101-NL4/NR4	3-3/4 [95]	6-3/4 [171]	67 [30]
Z1209-101-ND4	4-1/8 [105]	8-1/4 [210]	109 [49]

Note:

1. Min. 'P' Dim. Obtainable=2 [51] with cut standard coupling.
2. Feet anchored to floor using min. 1/2 [13] dia. anchors through rear slots on carrier feet.
3. Rear anchor foot required for secure installation.

ENGINEERING SPECIFICATION: ZURN Z1209-101

Vertical Offset Siphon Jet 500 Lbs. [227 kg] Water Closet "Rigid System" with () size No-Hub connections and 2" [51 mm] vent. Complete with Dura-Coated cast iron main fitting, universal floor mounted foot supports, adjustable faceplate, corrosion resistant adjustable polymer coupling with integral test cap, fixture bolts, trim, and stud protectors. Heavy-Duty rear anchor tie down, rigid support frame, and bonded "Neo-Seal" gasket.

OPTIONS (Check/specify appropriate options)

PRODUCT/DEFINITION

- ___ Z1209-NL4 4 [102] No-Hub Stack, Left Hand Offset Inlet, 2 [51] Left Hand Vent
- ___ Z1209-NR4 4 [102] No-Hub Stack, Right Hand Offset Inlet, 2 [51] Right Hand Vent
- ___ Z1209-ND4 4 [102] No-Hub Stack, Double Inlet, 2 [51] Vent

PREFIXES

- ___ Z D.C.C.I. System with Zurn "ZZ" Adjustable Coupling

SUFFIXES

- ___ -B Blowout Type Fixture Support
- ___ -CC Corrosion Resistant Cast Iron Coupling (6 [152] to 12 [305])
- ___ -CL Coupling Length Greater than 12 [305] (Specify length Required)
- ___ -F Floor Mounted, Back Outlet Fixture Support
- ___ -JJ Two 2 [51] Auxiliary Inlet
- ___ -JS Stack Side 2 [51] Auxiliary Inlet
- ___ -JV Vent Side 2 [51] Auxiliary Inlet
- ___ -PF Pre-Fab Foot
- ___ -PS Pre-Fab Slotted Foot
- ___ -RYK Unistrut Pre-Fab Foot
- ___ -VP Vandal Proof Trim
- ___ -X3 3 [76] Carrier Foot Extension Assembly
- ___ -X4 4 [102] Carrier Foot Extension Assembly
- ___ -45 Finishing Frame for Siphon Jet System
- ___ -50 Flush Valve Supply Support for Water Closet

* Regularly furnished unless otherwise specified.