



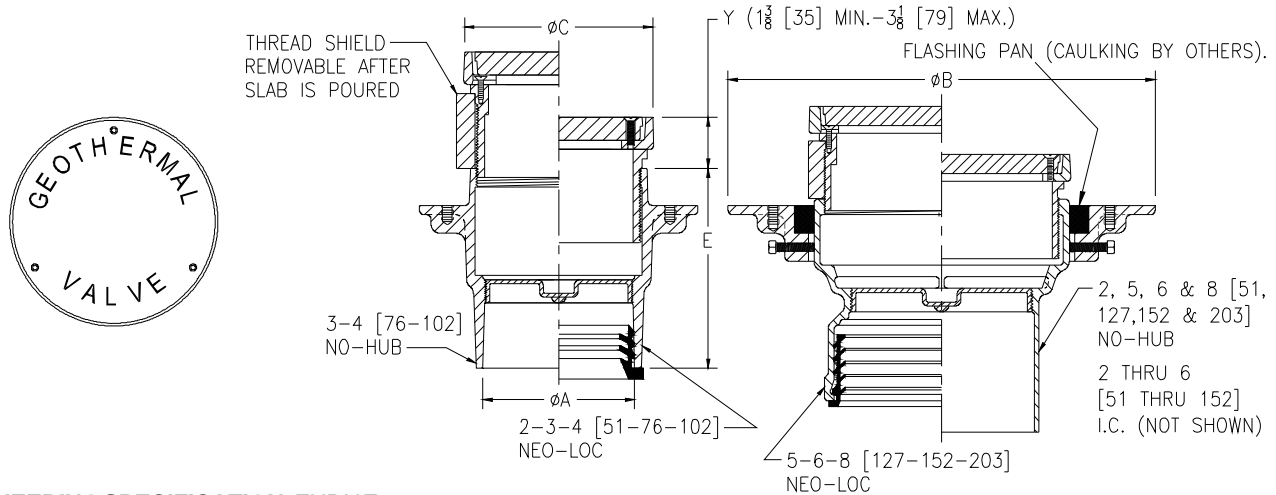
Z1400-98

HEAVY-DUTY "LEVEL-TROL" ADJUSTABLE FLOOR CLEANOUT W/ ANCHOR FLANGE AND ETCHING

SPECIFICATION SHEET

TAG _____

Dimensional Data (inches and [mm]) are Subject to Manufacturing Tolerances and Change Without Notice



ENGINEERING SPECIFICATION: ZURN Z1400-98

"Level-Trol" Adjustable floor cleanout, Dura-Coated cast iron body with anchor flange, gas and watertight ABS tapered thread plug and round scoriated cast iron heavy-duty secured top with "Geothermal Valve" etched onto cover, adjustable to finished floor.

Dimension In Inches				Approx. Wt. Lbs. [kg.]
A-Pipe Size	B	C	E	
Inside Caulk				
2 [51]	9-1/2 [241]	6-1/8 [156]	6-7/8 [175]	18.1 [8.2]
3 [76]	9-1/2 [241]	6-1/8 [156]	6-7/8 [175]	18.8 [8.5]
4 [102]	11-1/2 [292]	7-1/4 [184]	6-7/8 [175]	20.3 [9.2]
5 [127]	11-1/2 [292]	8-1/4 [210]	6-7/8 [175]	25.2 [11.4]
6 [152]	12-1/4 [292]	9-1/4 [235]	6-7/8 [175]	39.2 [17.8]
No-Hub				
2 [51]	7-1/2 [191]	4-1/8 [105]	4-5/8 [117]	11.3 [5.1]
3 [76]	7-1/2 [191]	5-1/8 [130]	5-3/8 [137]	10 [4.5]
4 [102]	7-1/2 [191]	5-1/8 [130]	5-3/8 [137]	12.6 [5.7]
5 [127]	11-1/2 [292]	7-1/4 [184]	7-1/2 [191]	20.2 [9.1]
6 [152]	11-1/2 [292]	8-1/4 [210]	4-3/4 [121]	29.2 [132]
8 [203]	12-1/4 [311]	9-1/4 [235]	7-1/2 [191]	37.9 [17.2]
Neo-Loc				
2 [51]	7-1/2 [191]	5-1/8 [130]	5-3/8 [137]	12.2 [5.5]
3 [76]	7-1/2 [191]	5-1/8 [130]	5-3/8 [137]	12.9 [6]
4 [102]	7-1/2 [191]	5-1/8 [130]	5-3/8 [137]	14.2 [6.4]
5 [127]	11-1/2 [292]	7-1/4 [184]	6-1/2 [165]	21.3 [9.7]
6 [152]	11-1/2 [292]	8-1/4 [210]	5-7/8 [149]	28.9 [13.1]
8 [203]	12-1/4 [311]	9-1/4 [235]	6-1/2 [165]	31.5 [14.3]

OPTIONS (Check/specify appropriate options)

PREFIXES

___ Z Dura Coated Cast Iron*

SUFFIXES

- ___ -BP Bronze Plug
- ___ -C Clamp Collar
- ___ -SA Stabilizer Assembly
- ___ -SG Solid Gasketed Cover
- ___ -TC Neo-Loc Test Cap Gasket (2-4 [51-102] NL Bottom Outlet Only)
- ___ -VP Vandal-Proof Screws

PIPE SIZE

- 2-3-4-5-6 [51-76-102-127-152]
- 2-3-4-5-6-8 [51-76-102-127-152-203]
- 2-3-4-5-6-8 [51-76-102-127-152-203]

OUTLET (Specify size/type)

- ___ IC Inside Caulk
- ___ NH No-Hub
- ___ NL Neo-Loc

'E' BODY HT. DIM.

- See Chart
- See Chart
- See Chart

* Regularly furnished unless otherwise specified.

Zurn Industries, LLC | Specification Drainage Operation
1801 Pittsburgh Avenue, Erie, PA U.S.A. 16502 · Ph. 855-663-9876, Fax 814-454-7929

In Canada | Zurn Industries Limited
3544 Nashua Drive, Mississauga, Ontario L4V 1L2 · Ph. 905-405-8272, Fax 905-405-1292

www.zurn.com

Rev. -
Date: 01/20/14
C.N. No. 130454
Prod. | Dwg. No. Z1400-98