



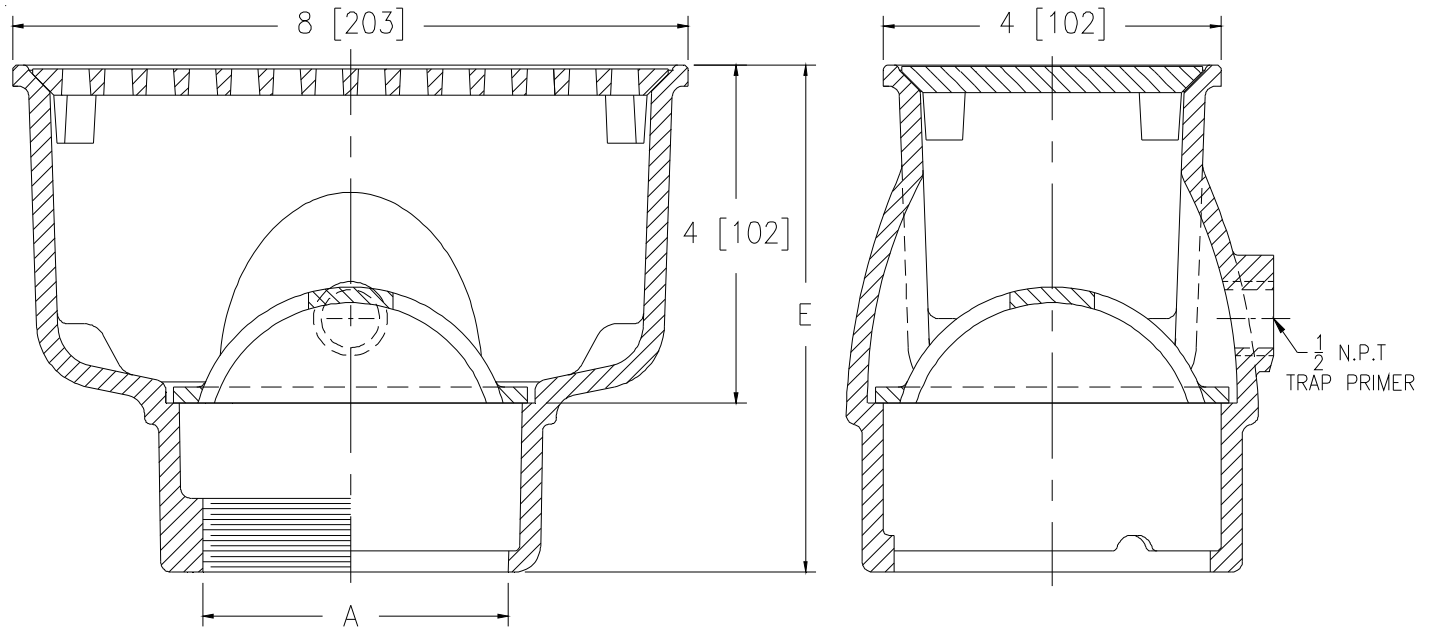
# Z1930-P

8 X 4 [203 X 102] A.R.C. SANI-FLOR RECEPTOR  
4 [102] SUMP DEPTH W/ TRAP PRIMER CONNECTION

SPECIFICATION SHEET

TAG \_\_\_\_\_

Dimensional Data (inches and [ mm ]) are Subject to Manufacturing Tolerances and Change Without Notice



A Pipe Size In. [mm]	Approx. Wt. Lbs [kg]	Grate Open Area Sq. In. [cm <sup>2</sup> ]
2,3 [51,76]	11 [5]	7.5 [48]

### ENGINEERING SPECIFICATION: ZURN Z1930-P

Sani-Flor Receptor 8" x 4" x 4" [203mm x 102mm x 102mm] deep cast iron body with 1/2" N.P.T. trap primer connection and rectangular square hole light-duty grate, with white acid resisting epoxy coated interior and top, and white ABS anti-splash interior bottom dome strainer.

**OPTIONS** (Check/specify appropriate options)

#### PIPE SIZE

(Specify size/type) **OUTLET**

#### 'E' BODY HT. DIMENSION

2, 3 [51, 76]  
2, 3 [51, 76]  
2, 3 [51, 76]

\_\_\_ IC Inside Caulk  
\_\_\_ IP Threaded  
\_\_\_ NL Neo-Loc

Z	ZN
6 [152]	6-3/8 [162]
6 [152]	6-3/8 [162]
5-13/16 [148]	6-3/16 [157]

#### PREFIXES

- \_\_\_ Z Cast Iron Body with White A.R.C. Interior\*
- \_\_\_ ZN Cast Iron Body with White A.R.C. Interior, 8-3/4 x 4-3/4 [222 x 121] Nickel Bronze Frame and Full Grate with 1/4 [6] Square Openings

#### SUFFIXES

- |   |  |
|---|--|
| ___ -K Anchor Flange with Seepage Holes                               | ___ -4 Full Grate with 2 [51] Square Center Opening                    |
| ___ -KC Anchor Flange with Seepage Holes and Clamp Collar             | ___ -6 Grate w/ 6 Diameter x 6 [152 x 152] High Funnel                 |
| ___ -LD Less Internal Bottom Dome Strainer                            | ___ -8 Grate w/ 8-7/8 x 3-5/8 x 3-3/4 [225 x 92 x 95] High Oval Funnel |
| ___ -S Secondary Strainer   | ___ -11 Vandal-Proof Secured Grate                                     |
| ___ -TC Neo-Loc Test Cap Gasket (2, 3 [51, 76] NL Bottom Outlet Only) | ___ -15 Solid Loose Set Cover  |
| ___ -1 Less Grate   | ___ -23 Stainless Steel Bucket   |
| ___ -2 1/2 Grate  | ___ -25 White A.R.C. Bucket  |
| ___ -3 3/4 Grate  | ___ -31 Stainless Steel Mesh Liner for Bucket                          |
|   | ___ -32 Aluminum Dome Strainer   |
|   | ___ -33 White A.R.C. Anti-Splash Bottom Dome Strainer                  |

\* Regularly furnished unless otherwise specified.

Zurn Industries, LLC | Specification Drainage Operation  
1801 Pittsburgh Avenue, Erie, PA U.S.A. 16502 · Ph. 855-663-9876, Fax 814-454-7929  
In Canada | Zurn Industries Limited  
3544 Nashua Drive, Mississauga, Ontario L4V 1L2 · Ph. 905-405-8272, Fax 905-405-1292  
[www.zurn.com](http://www.zurn.com)

Rev. C  
Date: 10/30/2017  
C.N. No. 139108  
Prod. | Dwg. No. Z1930-P