

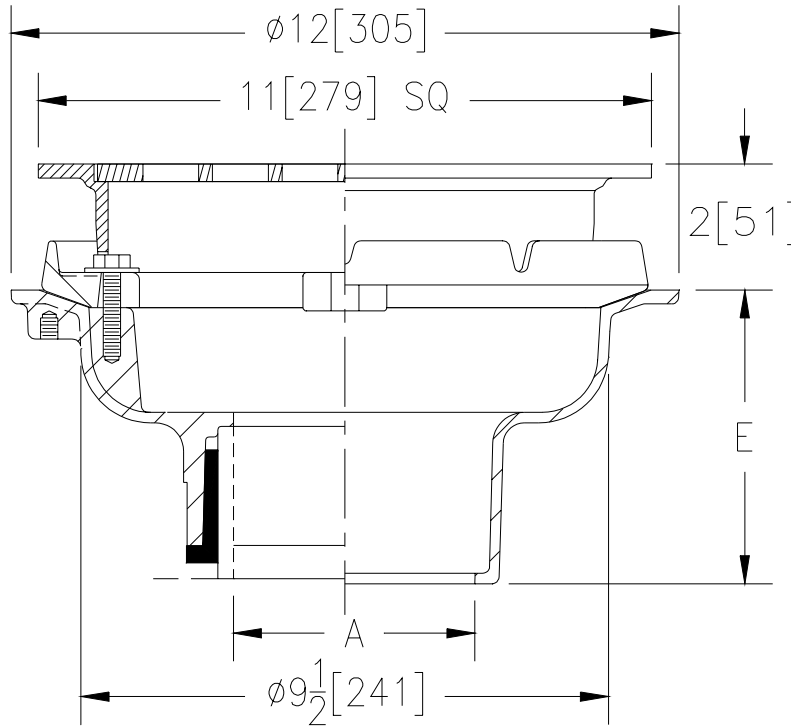


**Z-154-92**  
**11" [279] PROM-DECK DRAIN**  
**WITH LIGHT DUTY GRATE**

SPECIFICATION SHEET

TAG \_\_\_\_\_

Dimensional Data (inches and [mm]) are Subject to Manufacturing Tolerances and Changes Without Notice



A- Pipe Size In.	Approx. Wt. Lbs. [kg]	Grate Open Area Sq. In. [cm <sup>2</sup> ]
2-3-4-5-6 [50-75-100-125-150]	29 [13]	36 [232]

**ENGINEERING SPECIFICATION:** ZURN Z-154-92 11 [279] Top Prom-Deck drain, Dura-Coated cast iron body with square promenade frame and light duty grate with combination membrane flashing clamp/gravel guard.

**OPTIONS** (Check/specify appropriate options)

**PIPE SIZE**

- 2 thru 6 [50 thru 150]
- 2 thru 6 [50 thru 150]
- 2 thru 6 [50 thru 150]
- 2 thru 4 [50 thru 100]

(Specify size/type) **OUTLET**

- \_\_\_ IC Inside Caulk
- \_\_\_ IP Threaded
- \_\_\_ NH No-Hub
- \_\_\_ NL Neo-Loc]

**'E' BODY HT. DIM.**

- 5 1/4 [133]
- 3 3/4 [95]
- 5 1/4 [133]
- 4 5/8 [117]

**PREFIXES**

- \_\_\_ Z- D.C.C.I. Body with Steel Grate\*
- \_\_\_ ZB- D.C.C.I. Body with Polished Bronze Grate
- \_\_\_ ZS- D.C.C.I. Body with Stainless Steel Grate

**SUFFIXES**

- \_\_\_ -C Underdeck Clamp
- \_\_\_ -DG Duresist Grate
- \_\_\_ -E Static Extension 1 [25] thru 4 [102] (Specify Ht.)
- \_\_\_ -G Galvanized Cast Iron
- \_\_\_ -R Roof Sump Receiver
- \_\_\_ -S Secondary Strainer
- \_\_\_ -SC Secondary Clamping Collar
- \_\_\_ -TS Secured Top
- \_\_\_ -VP Vandal Proof Secured Top
- \_\_\_ -XJ Vertical Expansion Joint (See Z-190)
- \_\_\_ -85 Stainless Steel Perforated Extension
- \_\_\_ -90 90° Threaded Side Outlet Body

\*REGULARLY FURNISHED UNLESS OTHERWISE SPECIFIED

<b>REV.</b>	<b>DATE: 3/27/02</b>	<b>C.N. NO. 88408</b>
<b>DWG. NO. P-14883 PRODUCT NO. Z-154-92</b>		