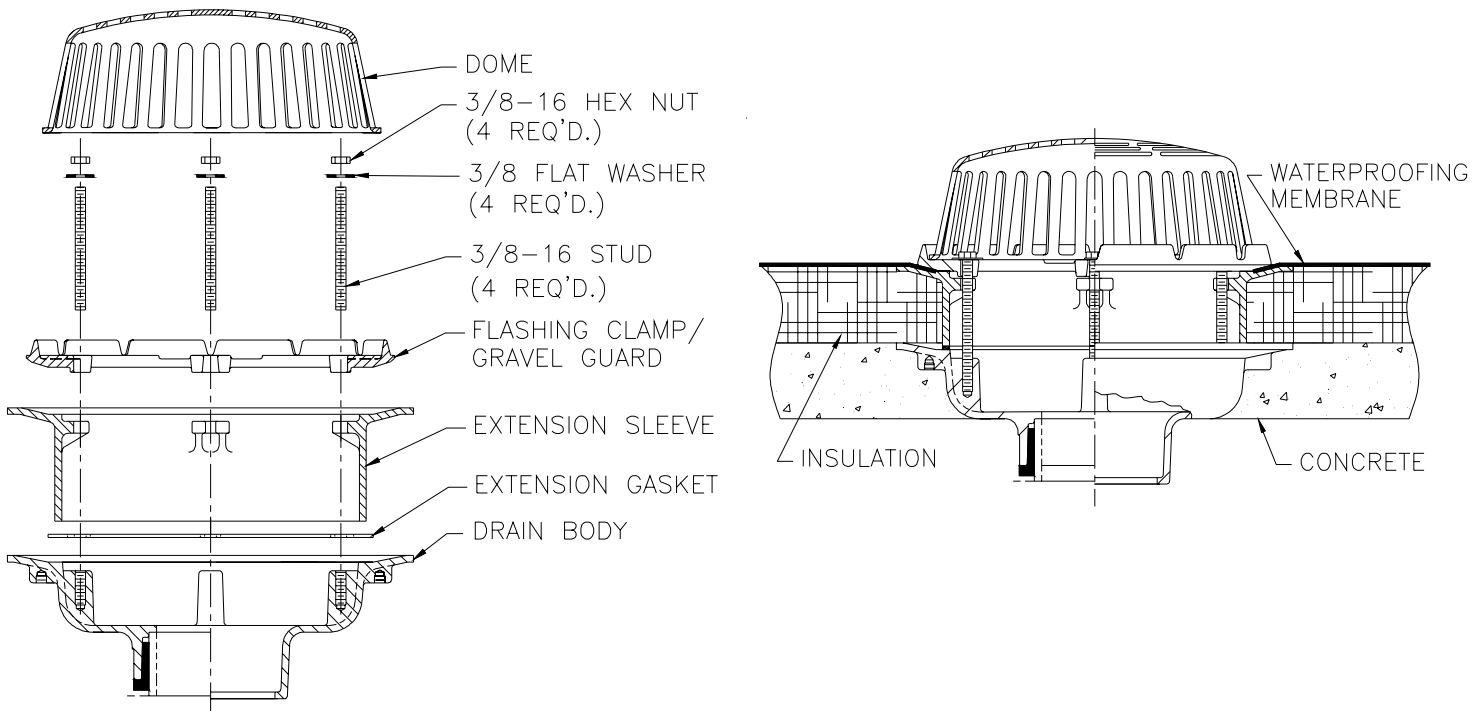




Z100-E INSTALLATION INSTRUCTIONS

The Z100-E Roof Drain with Static Extension is designed to be installed in different types of roof structures, such as metal decks or concrete slabs. The installation shown below depicts a general type of roof installation. Once the drain is secured and supported within the roof structure, the following steps should be taken to install the static extension.

- 1.) Using the hardware provided, insert the four 3/8-16 studs into the threaded drain body holes until tightened.
- 2.) Place the flat extension gasket over the studs and position it so that it rests on the drain body.
- 3.) Set the extension sleeve on top of the extension gasket so that the studs are inside of the interior channels on the sleeve. Check to make sure the gasket is positioned so that it will be fully compressed around the drain body by the extension sleeve when the assembly is tightened down.
- 4.) The remaining roofing material, (i.e. insulation), will be placed on top of the roof structure.
- 5.) A waterproofing membrane is applied on top of the insulation and extension. The membrane should be set in a way so that it can be clamped together between the extension sleeve and flashing clamp.
- 6.) The flashing clamp/gravel guard is set on top of the waterproofing membrane so that the studs are inserted through the bolt channels on the clamp. Once the gravel guard is set in place, the entire assembly can be bolted down and secured.
- 7.) Place one flat 3/8 washer on each of the studs.
- 8.) Thread one 3/8 hex nut onto each stud and tighten down securely, clamping the entire assembly together.



Form # RD62

Date: 11/17/04

C.N. No. 92732

Rev.

ZURN INDUSTRIES, INC. ♦ SPECIFICATION DRAINAGE OPERATION ♦ 1801 Pittsburgh Ave. ♦ Erie, PA 16514

Phone: 814/455-0921 ♦ Fax: 814/454-7929 ♦ World Wide Web: www.zurn.com

In Canada: ZURN INDUSTRIES LIMITED ♦ 3544 Nashua Drive ♦ Mississauga, Ontario L4V1L2 ♦ Phone: 905/405-8272 Fax: 905/405-1292