



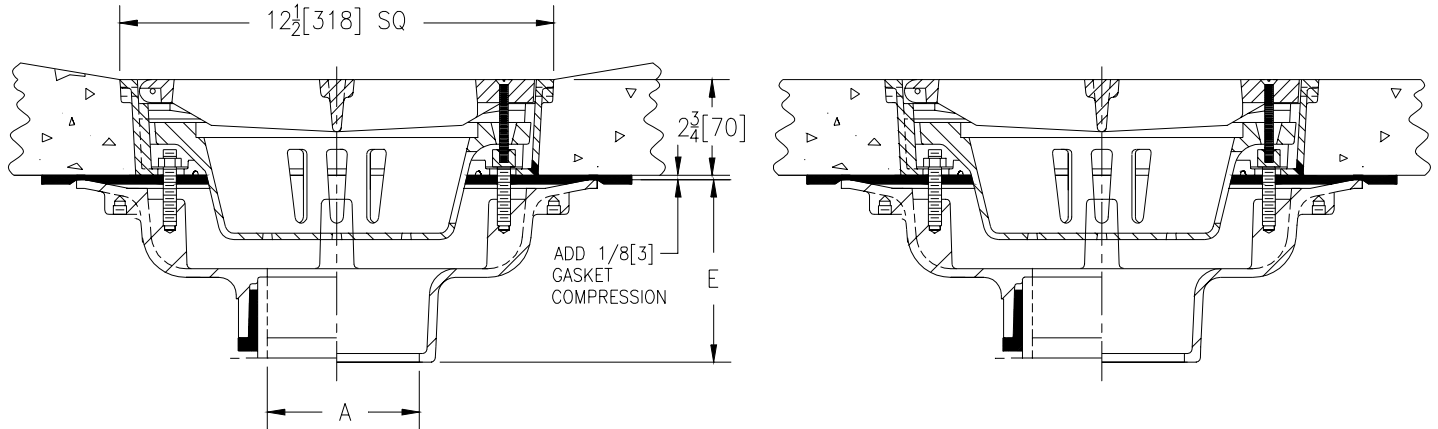
# Z-610-102

SPECIFICATION SHEET

## 12 1/2 [318] SQ. EXTRA HEAVY DUTY DRAIN FOR ANY PRECAST CONCRETE PARKING DECK SYSTEM

TAG \_\_\_\_\_

Dimensional Data (inches and [ mm ]) are Subject to Manufacturing Tolerances and Change Without Notice



A- Pipe Size In.	Approx. Wt. Lbs. [kg]	Grate Open Area Sq. In. [cm <sup>2</sup> ]
3-4 [75-100]	84 [38]	40 [258]
5-6 [125-150]	90 [41]	

**ENGINEERING SPECIFICATION:** Z-610-102 12 1/2 [318] Square Top drain, Dura-Coated cast iron body with bottom outlet, seepage pan and combination membrane flashing clamp and frame with gasket seal, for cast iron hinged extra heavy duty slotted vandal proof secured grate with suspended sediment bucket.

**OPTIONS** (Check/specify appropriate options)

**PIPE SIZE**

(Specify size/type) **OUTLET**

**'E' BODY HT. DIM.**

3 thru 6, 8 & 10 [75 thru 150, 200 & 250]	_____	IC Inside Caulk	7 3/4 [197]
2, 3, 4, 6 [50, 75, 100, 150]	_____	IG Inside Caulk w/Sealtrol Gskt.	7 3/4 [197]
3 thru 6, 8 & 10 [75 thru 150, 200 & 250]	_____	IP Threaded	6 3/8 [162]
2 thru 6, 8 & 10 [50 thru 150, 200 & 250]	_____	NH No-Hub	
2 thru 4 [50 thru 100]	_____	NL Neo-Loc	7 1/8 [181]

**PREFIXES**

- \_\_\_\_\_ Z- D.C.C.I. Body and Top\*
- \_\_\_\_\_ ZB- D.C.C.I Body w/Polished Bronze Top (Add 3/16 [5] to 3 3/8 [86] and 11/16 [17] to 16 [406] Dim.)
- \_\_\_\_\_ ZN- D.C.C.I Body w/Polished Nickel Bronze Top (Add 3/16 [5] to 3 3/8 [86] and 11/16 [17] to 16 [406] Dim.)

**SUFFIXES**

- \_\_\_\_\_ -AR Acid Resistant Epoxy coated Finish
- \_\_\_\_\_ -DG Duresist Grate
- \_\_\_\_\_ -G Galvanized Cast Iron
- \_\_\_\_\_ -HL Hinged Locking Grate
- \_\_\_\_\_ -SS Stainless Mesh Liner for Bucket
- \_\_\_\_\_ -TS Top Secured With Slotted Screws
- \_\_\_\_\_ -V Backwater Valve (See Z-1099)
- \_\_\_\_\_ -VP Vandal Proof Secured Top
- \_\_\_\_\_ -YA Aluminum Sediment Bucket
- \_\_\_\_\_ -90 90° Threaded Side Outlet Body

\*REGULARLY FURNISHED UNLESS OTHERWISE SPECIFIED

REV. \_\_\_\_\_ DATE: 11/12/01 C.N. NO. 88166

DWG. NO. P-14853 PRODUCT NO. Z-610-102

ZURN INDUSTRIES, INC. ♦ SPECIFICATION DRAINAGE OPERATION ♦ 1801 Pittsburgh Ave. ♦ Erie, PA 16514

Phone: 814/455-0921 ♦ Fax: 814/454-7929 ♦ World Wide Web: www.zurn.com

In Canada: ZURN INDUSTRIES LIMITED ♦ 3544 Nashua Drive ♦ Mississauga, Ontario L4V1L2 ♦ Phone: 905/405-8272 Fax: 905/405-1292