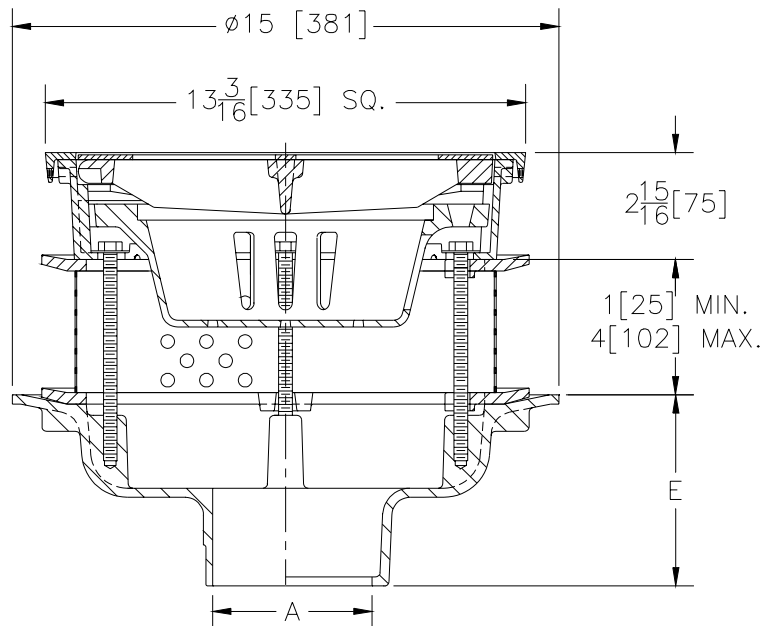




ZN-610-97
12" [305] HEAVY DUTY DRAIN

TAG _____

Dimensional Data (inches and [mm]) are Subject to Manufacturing Tolerances and Change Without Notice



A- Pipe Size In.	Approx. Wt. Lbs. [kg]	Grate Open Area Sq. In. [cm ²]
2-3-4-5-6 [50-75-100-125-150]	54 [24]	21 [135]
8-10 [200-250]	56 [25]	

ENGINEERING SPECIFICATION: ZURN ZN-610-97
 12 [305] Square top drain, Dura-Coated cast iron body with bottom outlet, seepage pan and combination membrane flashing clamp, secondary clamp collar, perforated extension, frame for heavy duty cast iron loose slotted grate with nickel bronze frame, heelproof grate and suspended sediment bucket.

OPTIONS (Check/specify appropriate options)

PIPE SIZE	(Specify size/type)	OUTLET	'E' BODY HT. DIM.
2 thru 6, 8, 10 [50 thru 150, 200, 250]	_____	IC Inside Caulk	5 1/4 [133]
2 thru 4, 6 [50 thru 100, 150]	_____	IG Inside Caulk w/Sealtrol Gskt.	5 1/4 [133]
2 thru 6, 8, 10 [50 thru 150, 200, 250]	_____	IP Threaded	3 3/4 [95]
2 thru 6, 8, 10 [50 thru 150, 200, 250]	_____	NH No-Hub	5 1/4 [133]
2 thru 4 [50 thru 100]	_____	NL Neo-Loc	4 5/8 [117]

PREFIXES

- _____ ZB- D.C.C.I Body w/Polished Bronze Top
- _____ ZN- D.C.C.I Body w/Polished Nickel Bronze Top*

SUFFIXES

- _____ -AR Acid Resistant Epoxy Coated Finish
- _____ -DG Duresist Grate
- _____ -DX Dex-o-tex Flange
- _____ -G Galvanized Cast Iron
- _____ -H Hinged Grate
- _____ -HL Hinged Locking Grate
- _____ -P Trap Primer Connection
- _____ -S Secondary Strainer
- _____ -TS Top Secured with Slotted Screws
- _____ -V Backwater Valve (See Z-1099)
- _____ -VP Vandal Proof Secured Top
- _____ -YA Aluminum Sediment Bucket
- _____ -90 90° Threaded Side Outlet Body

REV. A	DATE: 8/21/00	C.N. NO. 85827
DWG. NO. P-14451		PRODUCT NO. ZN-610-97

*REGULARLY FURNISHED UNLESS OTHERWISE SPECIFIED