

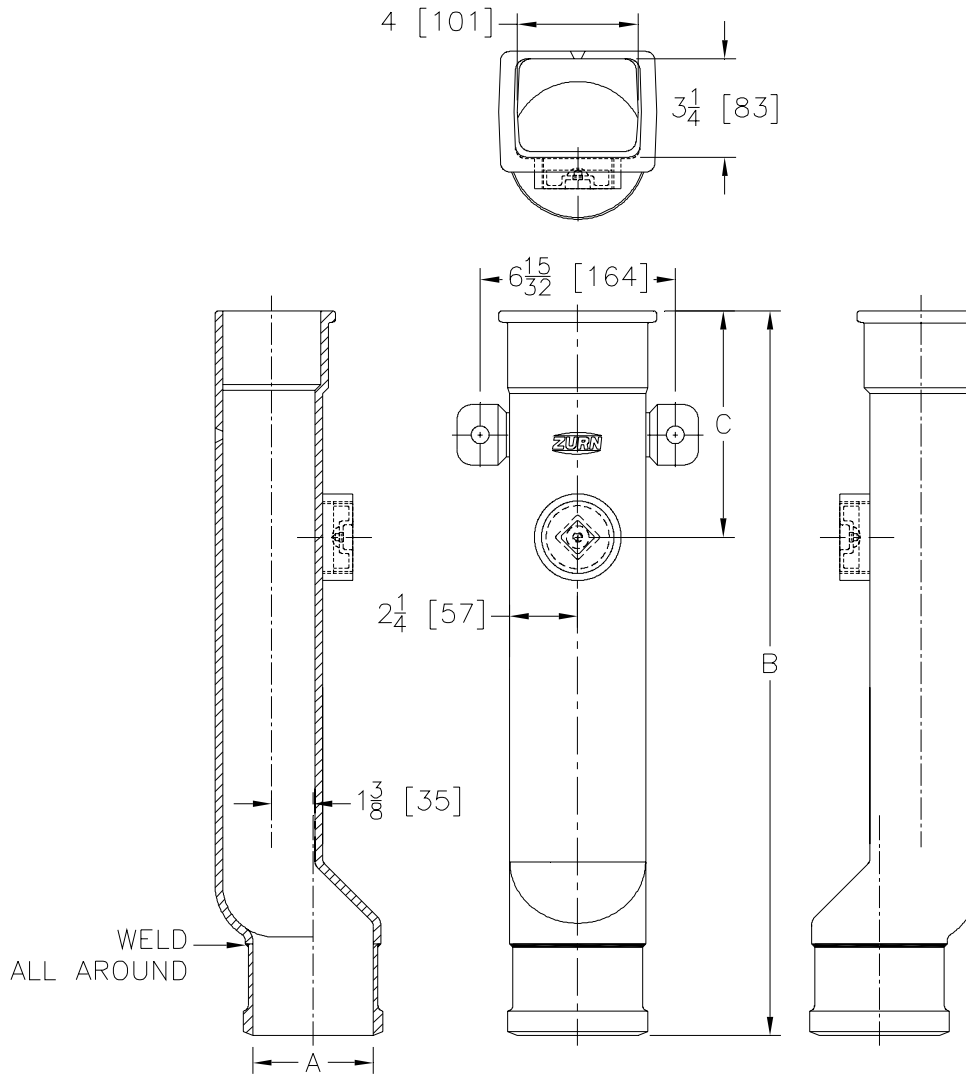


Z192-76

4 X 3 [102 X 76] DOWNSPOUT BOOT W/ CLEANOUT ACCESS & 4 [102] SPIGOT OUTLET

TAG _____

Dimensional Data (inches and [mm]) are Subject to Manufacturing Tolerances and Changes Without Notice



Dimensions In Inches			
Size	A Pipe Size	B	C
4 x 3 x 12 [102 x 76 x 305]	4 [102]	12 [305]	4 11/32 [111]
4 x 3 x 18 [102 x 76 x 457]		18 [457]	7 1/2 [191]
4 x 3 x 24 [102 x 76 x 610]		24 [610]	7 1/2 [191]

ENGINEERING SPECIFICATION ZURN Z192-76
Cast iron body and strap with 1/4 [6] dia. cast holes for flat head bolts, 2 [51] NPT cleanout access with plug and 4 [102] Spigot outlet.

OPTIONS (Check/specify appropriate options)

PREFIXES

___ Z D.C.C.I. Body*

SUFFIXES

___ -G Galvanized Cast Iron

REV. A	DATE: 11/17/08	C.N. NO. 99395
DWG. NO. P-15622		PRODUCT NO. Z192-76

*REGULARLY FURNISHED UNLESS OTHERWISE SPECIFIED