



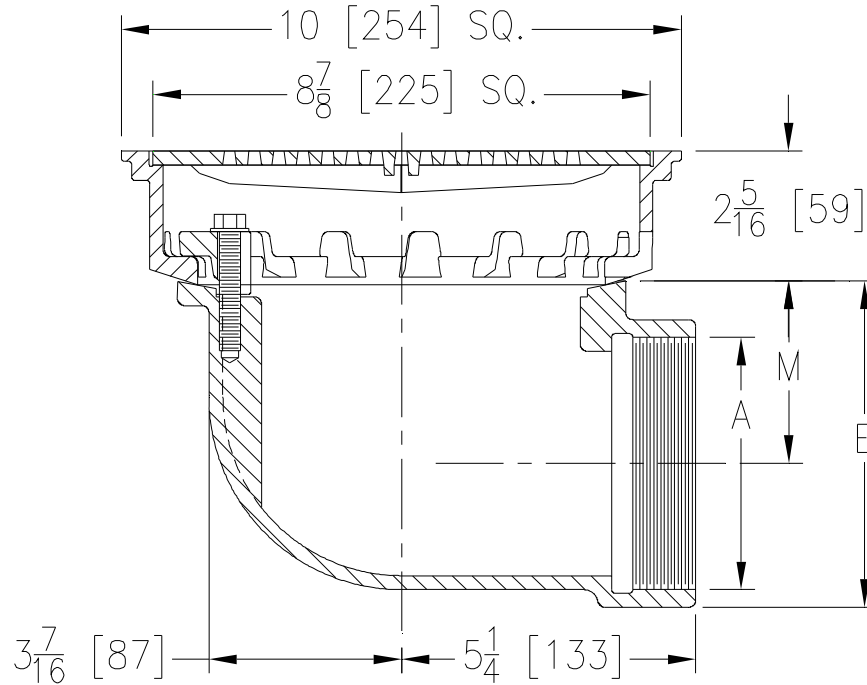
# Z158-90

## 10 [254] LATERAL PROM-DECK DRAIN WITH HEEL-PROOF GRATE AND ROTATABLE FRAME

SPECIFICATION SHEET

TAG \_\_\_\_\_

Dimensional Data (inches and [ mm ]) are Subject to Manufacturing Tolerances and Change Without Notice



Dimensions in In [mm]		Approx. Wt. Lbs. [kg]	Grate Open Area Sq. In [cm <sup>2</sup> ]
A Pipe Size	M		
2 [51]	4-7/16 [113]	30 [14]	21 [136]
3 [76]	3-7/8 [98]	30 [14]	21 [136]
4 [102]	3-3/8 [86]	29 [13]	21 [136]

**ENGINEERING SPECIFICATION: ZURNZ158-90**  
 10" [254mm] Lateral Prom-Deck drain, Dura-Coated cast iron body with rotatable square promenade frame with seepage openings, frame clamps, and light-duty heel-proof grate.

**OPTIONS** (Check/specify appropriate options)

**PIPE SIZE**  
 2,3,4 [51,76,102]

(Specify size) **OUTLET**  
 \_\_\_ IP Threaded

**'E' BODY HT. DIM.**  
 6 [154]

**PREFIXES**

- \_\_\_ Z D.C.C.I. Body with Top\*
- \_\_\_ ZB D.C.C.I. Body with Polished Bronze Top (Add 3/16 [5] to 2-5/16 [59] Dim & 5/8 [16] to 10 [254] Dim.)
- \_\_\_ ZN D.C.C.I. Body with Polished Nickel Bronze Top (Add 3/16 [5] to 2-5/16 [59] Dim & 5/8 [16] to 10 [254] Dim.)

**SUFFIXES**

- \_\_\_ -AR Acid Resistant Epoxy Coated
- \_\_\_ -C Underdeck Clamp
- \_\_\_ -DG Duresist Grate
- \_\_\_ -DT Decorative Polished Top (ZB and ZN Only)
- \_\_\_ -E 2 [51] High Static Extension
- \_\_\_ -G Galvanized Cast Iron
- \_\_\_ -SC Secondary Clamp Collar
- \_\_\_ -TS Top Secured with Slotted Screws
- \_\_\_ -VP Vandal-Proof Secured Top
- \_\_\_ -Y Sediment Bucket
- \_\_\_ -85 Stainless Steel Perforated Extension

\* Regularly furnished unless otherwise specified.