



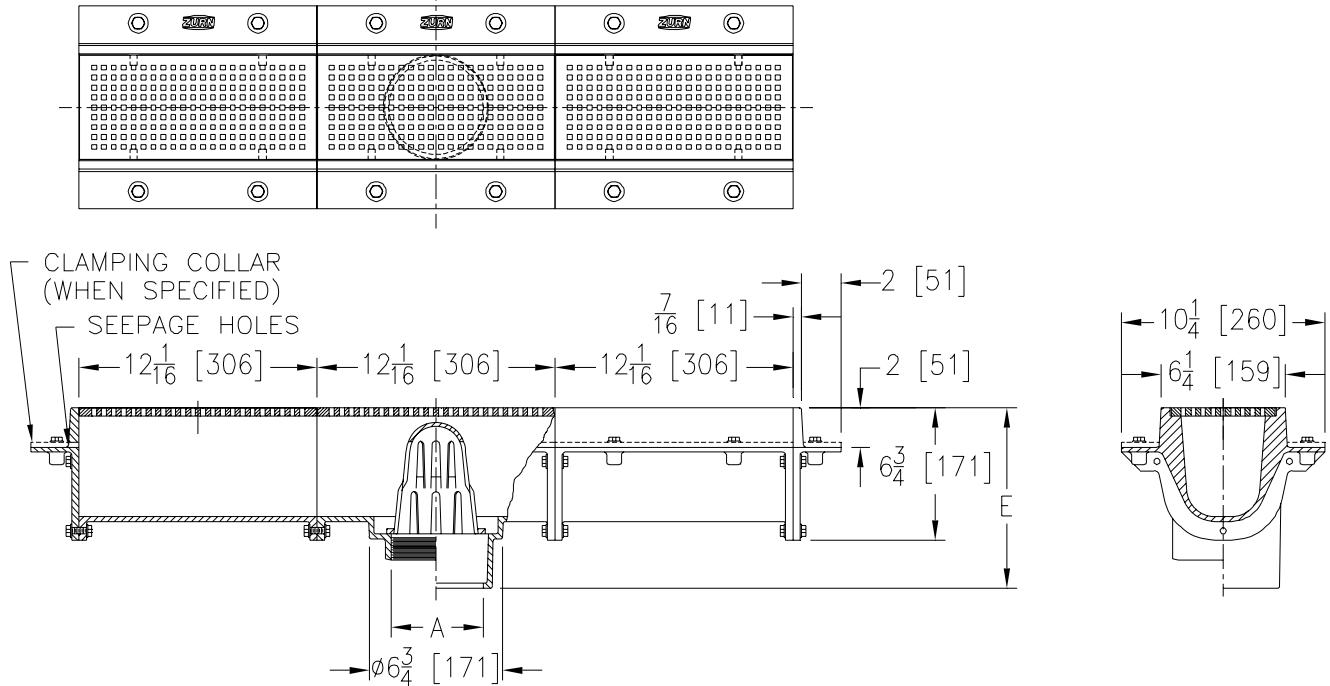
# Z664-88

## 6 [152] WIDE MODULAR TRENCH DRAIN W/ HEEL-PROOF 1/4 [6] SQUARE HOLE MEDIUM-DUTY GRATE

SPECIFICATION SHEET

TAG \_\_\_\_\_

Dimensional Data (inches and [ mm ]) are Subject to Manufacturing Tolerances and Change Without Notice



A Pipe Size	Approx. Wt. Lbs. [kg]	Grate Open Area Sq. In. [cm <sup>2</sup> ] (Per Section)
2-3-4 [51-76-102]	35 [16]	12 [77]

**ENGINEERING SPECIFICATION: ZURN Z664-88**  
6 [152] Wide Top modular trench drain, Dura-Coated cast iron drain section with bottom outlet and secondary dome strainer. Both 12 [305] long outlet and extension modules are complete with integral seepage pan and loose medium-duty, heel-proof 1/4 [6] square grate.

**OPTIONS** (Check/specify appropriate options)

**PIPE SIZE**

- 2-3-4 [51-76-102]
- 2-3-4 [51-76-102]
- 2-3-4 [51-76-102]
- 2-3-4 [51-76-102]

(Specify size/type) **OUTLET**

- \_\_\_ IC Inside Caulk
- \_\_\_ IP Threaded
- \_\_\_ NH No-Hub (IP w//Z1040-1)
- \_\_\_ NL Neo-Loc

**'E' BODY HT. DIM.**

- 9 1/8 [232]
- 7 5/8 [194]
- 
- 8 3/8 [213]

**PREFIXES**

- \_\_\_ Z D.C.C.I. Body and Top\*

**SUFFIXES**

- \_\_\_ -AR Acid Resisting Epoxy Coated Cast Iron (Per Section)
- \_\_\_ -C Clamp Collar (Per Section)
- \_\_\_ -DG Duresist Grate (Per Section)
- \_\_\_ -ES 12 [305] Extension Section (Specify Number of Sections Required)
- \_\_\_ -G Galvanized Cast Iron (Per Section)
- \_\_\_ -M Side Outlet Adapter Via End Plate
- \_\_\_ -TC Neo-Loc Test Cap Gasket (2 - 4 [51 -102] NL Bottom Outlet Only)
- \_\_\_ -TS Top Secured with Slotted Screws (Per Section)
- \_\_\_ -V Backwater Valve (See Z1099)
- \_\_\_ -VP Vandal-Proof Secured Top (Per Section)
- \_\_\_ -Y Sediment Bucket (Per Outlet Section)

\*REGULARLY FURNISHED UNLESS OTHERWISE SPECIFIED

REV. DATE: 4/26/07 C.N. NO. 96521

DWG. NO. P-15414 PRODUCT NO. Z664-88

ZURN INDUSTRIES, LLC. ♦ SPECIFICATION DRAINAGE OPERATION ♦ 1801 Pittsburgh Ave. ♦ Erie, PA 16514

Phone: 814455-0921 ♦ Fax: 814454-7929 ♦ World Wide Web: www.zurn.com

In Canada: ZURN INDUSTRIES LIMITED ♦ 3544 Nashua Drive ♦ Mississauga, Ontario L4V1L2 ♦ Phone: 905405-8272 Fax: 905405-1292