



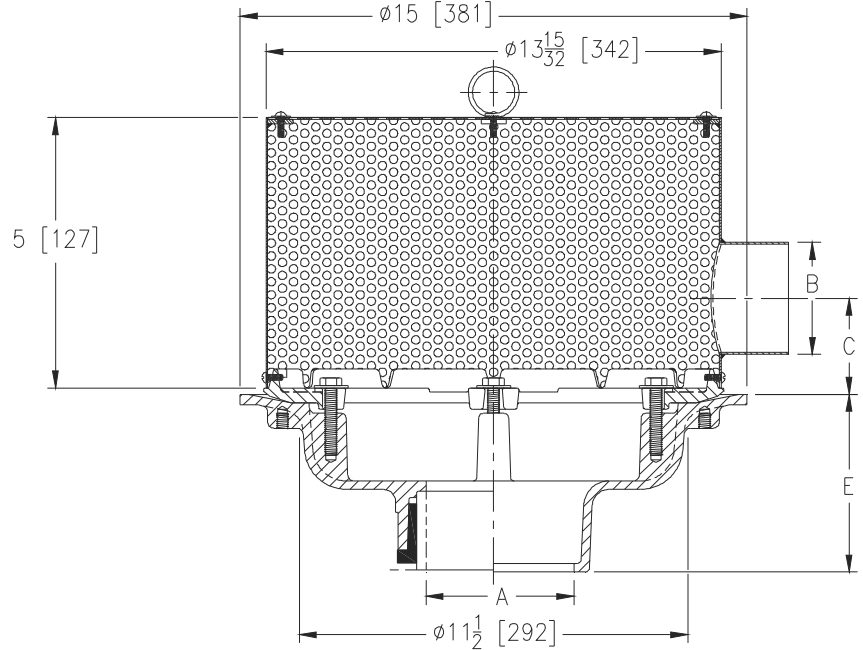
Z110-AI-81

15 [381] DIAMETER MAIN GREEN ROOF DRAIN
W/ PERFORATED SCREEN ASSEMBLY, REMOVABLE
COVER W/ LIFT HANDLE, AND AUXILIARY INLET

SPECIFICATION SHEET

TAG _____

Dimensional Data (inches and [mm]) are Subject to Manufacturing Tolerances and Change Without Notice



Note:

Auxiliary Inlet sizes are only available as configured below. Auxiliary Inlet Size 'B' cannot exceed Pipe Size 'A'.

Dimensions in inches [mm]			Approx Wt. lbs [kg]
A - Outlet Pipe Size	B - Inlet Pipe Size	C	
2 [51]	2 [51]	2-11/32 [60]	32 [15]
3 [76]	2 [51]	2-11/32 [60]	33 [15]
	3 [76]	2-27/32 [72]	

ENGINEERING SPECIFICATION: ZURN Z110-AI-81

15" [381mm] Green Roof Drain. Dura-Coated cast iron body with combination membrane flashing and clamp/gravel guard. Complete with secured type 304 (CF8) stainless steel perforated screen assembly with secured removable access cover with lift handle and auxiliary No-Hub inlet connection.

OPTIONS (Check/specify appropriate options)

PIPE SIZE

- 3,4,6 [76,102,152]
- 2,3,4,6,8 [51,76,102,152,203]
- 2,3,4,6,8 [51,76,102,152,203]
- 2,3,4 [51,76,102]
- 6 [152]

(Specify size/type) **OUTLET**

- _____ IC Inside Caulk
- _____ IP Threaded
- _____ NH No-Hub
- _____ NL Neo-Loc
- _____ NL Neo-Loc

E BODY HT. DIM.

- 5-1/4 [133]
- 3-3/4 [95]
- 5-1/4 [133]
- 4-5/8 [117]
- 5-7/16 [138]

PREFIXES

- _____ Z110-AI2 D.C.C.I. Body with 2[51] Auxiliary Inlet.
- _____ Z110-AI3 D.C.C.I. Body with 3[76] Auxiliary Inlet.

SUFFIXES

- _____ -AC Angular Underdeck Clamp
- _____ -AR Acid Resistant Epoxy Coated
- _____ -C Underdeck Clamp
- _____ -DE Deck Extension (Includes Deck Plate -DP)
- _____ -DP Top-Set® Roof Deck Plate (Replaces both -C and -R)
- _____ -DR Top-Set® Drain Riser
- _____ -E Static Extension 1 [25] thru 4 [102] (Specify Ht.)
- _____ -EA Adjustable Extension Assembly 2-1/8 [54] thru 3-1/2 [89]
- _____ -EB Top-Set Adjustable Extension Assembly
- _____ -G Galvanized Cast Iron
- _____ -PS Perforated Screen 9 [229] thru 18 [457] (Specify Height)
- _____ -R Roof Sump Receiver
- _____ -TC Neo-Loc Test Cap Gasket (2,3,4 [51,76,102] NL Bottom Outlet Only)
- _____ -VP Vandal Proof Secured Top

* Regularly furnished unless otherwise specified.