

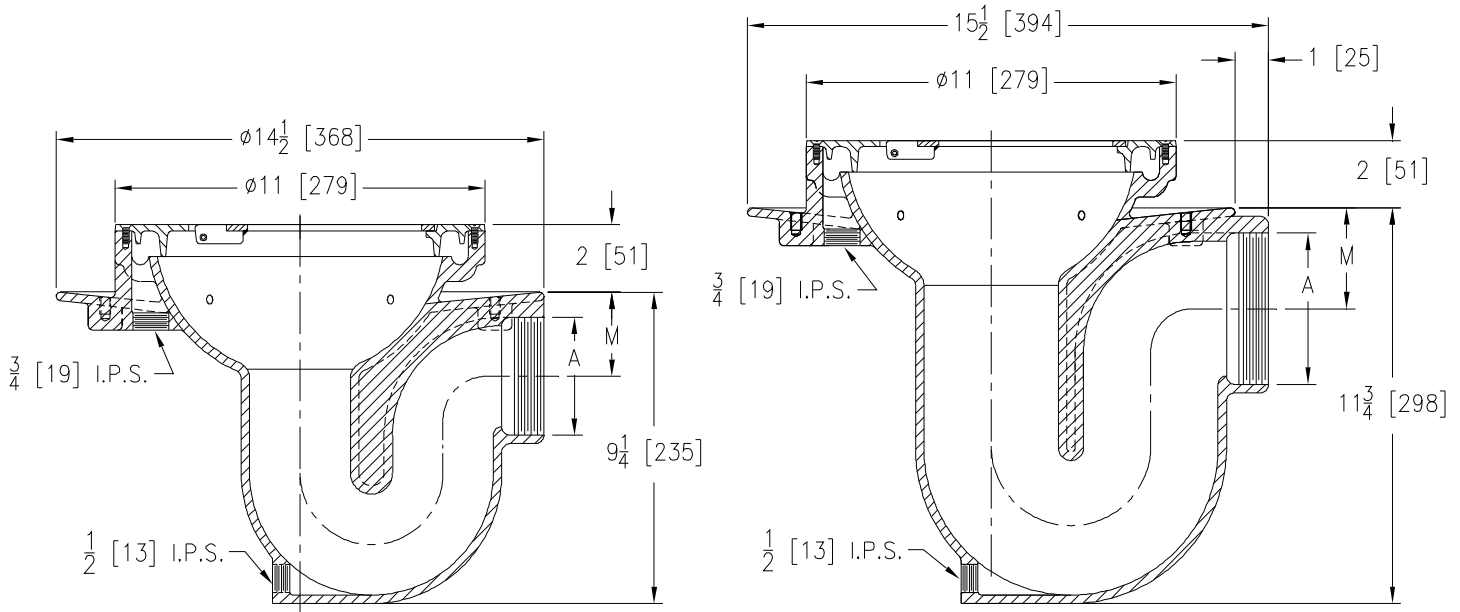


Z300-81 THOROFLUSH DRAIN

SPECIFICATION SHEET

TAG _____

Dimensional Data (inches and [mm]) are Subject to Manufacturing Tolerances and Change Without Notice



2 [51] & 3 [76]
PIPE SIZES

4 [102]
PIPE SIZE

Dimensions in Inches		Approx. Wt. Lbs. [kg]	Grate Open Area Sq. In. [cm ²]
A-Pipe Size	M		
2 [51]	3 [76]	50 [23]	18 [116]
3 [76]	2 1/2 [64]		
4 [102]	3 [76]		

ENGINEERING SPECIFICATION: ZURN Z300-81

11 [279] Top Thoroflush Drain with integral double wall trap, cast iron body with white acid resistant epoxy coated exterior and interior, side outlet with seepage pan, bronze flushing rim top with fabricated large slot hinged grate.

OPTIONS (Check/specify appropriate options)

PIPE SIZE

2-3-4 [51-76-102]

(Specify size) **OUTLET**

____ IP Threaded

PREFIXES

____ ZB Cast Iron Body w/A.R.C. Interior and Exterior w/Polished Bronze Top*

SUFFIXES

- ____ -C Clamping Collar
- ____ -DX Dex-o-tex Flange (Std. Top Only)
- ____ -NE Spark Proof Non-Conductive Top
- ____ -VP Vandal-Proof Screws in Frame
- ____ -WB Water Supply Control Box (See Z1464)

*REGULARLY FURNISHED UNLESS OTHERWISE SPECIFIED

REV.	DATE: 8/2/07	C.N. NO. 97064
DWG. NO. P-15455 PRODUCT NO. Z300-81		