



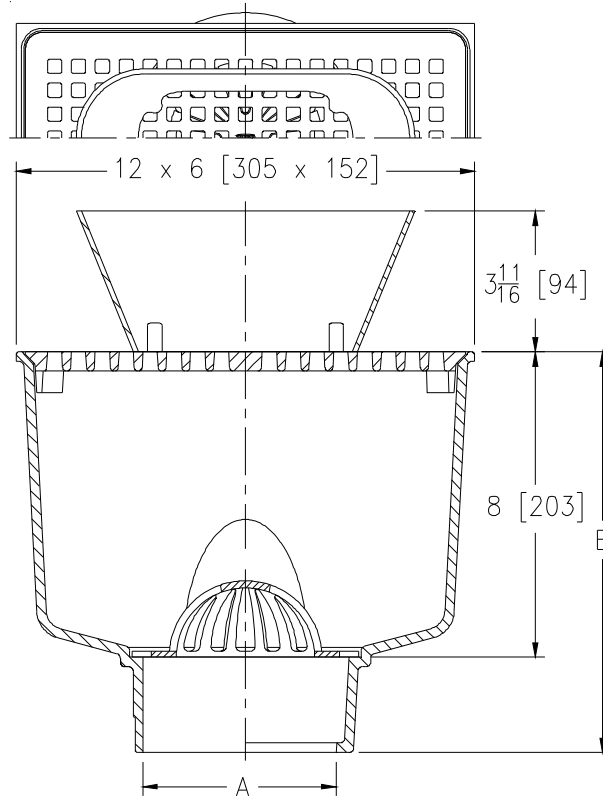
Z1940-8

12 X 6 [305 X 152] A.R.C. SANI-FLOR RECEPTOR 8 [203] SUMP
 DEPTH W/ FULL GRATE & 8-7/8 x 3-5/8 x 3-11/16 [225 x 92 x 94]
 HIGH OVAL FUNNEL

SPECIFICATION SHEET

TAG _____

Dimensional Data (inches and [mm]) are Subject to Manufacturing Tolerances and Change Without Notice



A Pipe Size In. [mm]	Approx Wt. Lbs. [kg]	Grate Open Area Sq. In. [cm ²]
2,3,4 [51,76,102]	29 [13]	17 [110]

ENGINEERING SPECIFICATION: ZURN Z1940-8

Sani-Flor Receptor 12" x 6" x 8" [305mm x 152mm x 203mm] deep cast iron body and rectangular square hole light-duty grate, with 8-7/8" x 3-5/8" x 3-11/16" [225mm x 92mm x 94mm] high oval funnel, white acid resisting epoxy coated interior and top, complete with white ABS anti-splash interior bottom dome strainer.

OPTIONS (Chck/specify appropriate options)

PIPE SIZE

2,3,4 [51,76,102]
 2,3,4 [51,76,102]
 2,3,4 [51,76,102]

OUTLET (Specify size/type)

___ IC Inside Caulk
 ___ NH No-Hub
 ___ NL Neo-Loc

'E' BODY HT. DIMENSION

Z	ZN
10-1/2 [267]	10-7/8 [276]
10-1/2 [267]	10-7/8 [276]
10 [254]	10-3/8 [264]

PREFIXES

___ Z Cast Iron Body with White A.R.C. Interior*
 ___ ZN Cast Iron Body with White A.R.C. Interior, 13 x 7 [330 x 178] N.B. Frame and Full Grate with 8-7/8 x 3-5/8 x 3-11/16 [225 x 92 x 94] High Oval Funnel

SUFFIXES

___ -K Anchor Flange with Seepage Holes	___ -23 Aluminum Bucket
___ -KC Anchor Flange with Seepage Holes and Clamp Collar	___ -25 White A.R.C. Bucket
___ -LD (Less) Bottom Dome Strainer	___ -31 Stainless Steel Mesh Liner for Bucket
___ -P 1/2 [13] Trap Primer Connection	___ -32 Aluminum Dome Strainer
___ -S Secondary Strainer	___ -33 White A.R.C. Anti-Splash Bottom Dome Strainer
___ -TC Neo-Loc Test Cap Gasket (2,3,4 [51,76,102] NL Bottom Outlet Only)	
___ -11 Vandal-Proof Secured Grate (ZN Only)	

* Regularly furnished unless otherwise specified.

Zurn Industries, LLC | Specification Drainage Operation
 1801 Pittsburgh Avenue, Erie, PA U.S.A. 16502 · Ph. 855-663-9876, Fax 814-454-7929
 In Canada | Zurn Industries Limited
 3544 Nashua Drive, Mississauga, Ontario L4V 1L2 · Ph. 905-405-8272, Fax 905-405-1292
www.zurn.com

Rev. B
 Date: 10/13/17
 C.N. No. 138836
 Prod. | Dwg. No. Z1940-8