



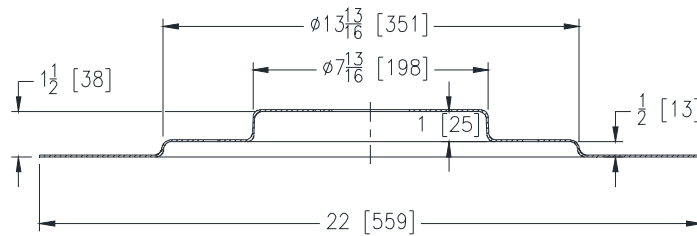
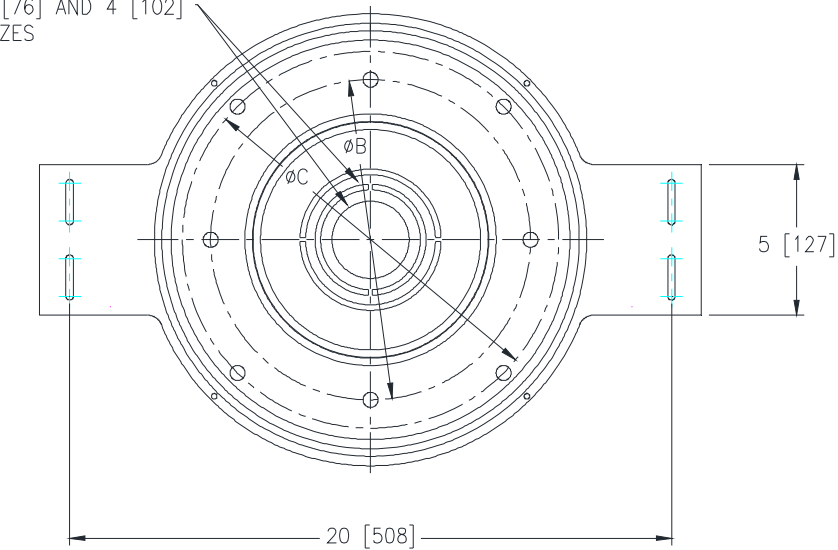
Z1036-Q STRUCTURAL DECK DRAIN STABILIZER

SPECIFICATION SHEET

TAG _____

Dimensional Data (inches and [mm]) are Subject to Manufacturing Tolerances and Change Without Notice

REMOVABLE KNOCKOUTS
FOR 3 [76] AND 4 [102]
PIPE SIZES



Pipe Size In.	Pipe Opening Dia.	B Dia.	C Dia.
2 [51]	2-9/16 [65]	10-5/8 [270]	12-1/2 [318]
3 [76]	3-11/16 [94]	10-5/8 [270]	12-1/2 [318]
4 [102]	4-11/16 [119]	10-5/8 [270]	12-1/2 [318]

ENGINEERING SPECIFICATION: ZURNZ1036-Q
Structural Deck Drain Stabilizer for Q-Deck. #16 gage galvanized steel plate with variable pipe openings, eight support stud holes, and eight nail holes. Complete with hardware bag containing four 3/8-16 x 12 [305] long studs and eight 3/8-16 flange locknuts.

NOTE: 'B' dia. stud holes are used to accommodate 12 [305] dia. drain body. 'C' dia. stud holes are used to accommodate 15 [381] dia. drain body. (To be used with No-Hub and Neo-Loc outlet connections only).

REV.	DATE: 02/11/13	C.N. NO. 128771	
DWG. NO. 311662	PRODUCT NO. Z1036-Q		