



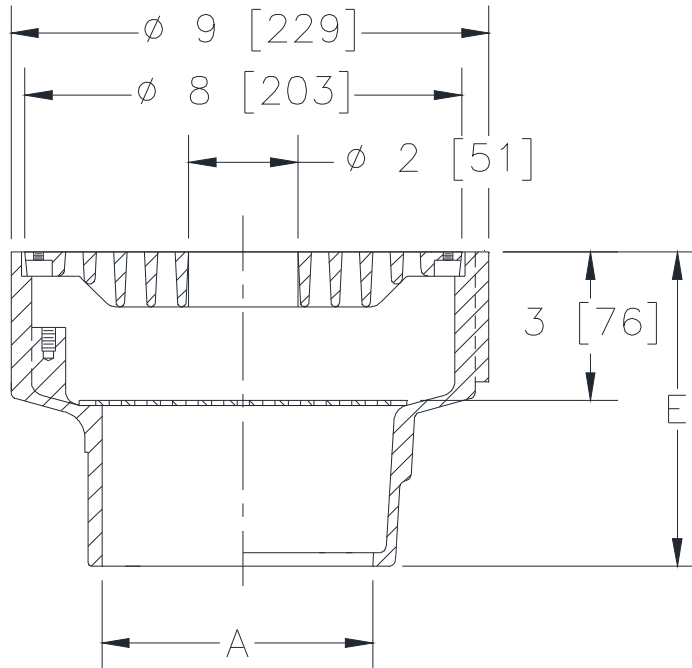
Z1970-4

9 [229] DIAMETER SHALLOW A.R.C. SANI-FLOR
RECEPTOR 3 [76] SUMP DEPTH W/ FULL GRATE
WITH CENTER OPENING

SPECIFICATION SHEET

TAG _____

Dimensional Data (inches and [mm]) are Subject to Manufacturing Tolerances and Change Without Notice



A Pipe Size In. [mm]	Approx Wt. Lbs. [kg]	Grate Open Area Sq. In. [cm ²]
2,3,4 [51,76,102]	13 [6]	18 [116]

ENGINEERING SPECIFICATION: ZURN Z1970-4
Sani-Flor Receptor 9" [229mm] diameter x 3" [76mm] deep cast iron body and round slotted grate with 2" [51mm] round center opening, with white acid resisting coated interior and top, complete with brass secondary strainer.

OPTIONS (Check/specify appropriate options)

PIPE SIZE

(Specify size/type) **OUTLET**

'E' BODY HT. DIMENSION

2,3,4 [51,76,102]
2,3,4 [51,76,102]

___ NH No-Hub
___ NL Neo-Loc

Z **ZN**
5-3/4 [146] 6 [152]
4-7/8 [124] 5-1/8 [130]

PREFIXES

- ___ Z Cast Iron Body with White A.R.C. Interior*
- ___ ZN Cast Iron Body with White A.R.C. Interior, 9 [229] Round Nickel Bronze Frame and Full Slotted Grate

SUFFIXES

- ___ -K Anchor Flange with Seepage Holes
- ___ -KC Anchor Flange with Seepage Holes and Clamp Collar
- ___ -P 1/2 [13] Trap Primer Connection
- ___ -TC Neo-Loc Test Cap Gasket (2,3,4 [51,76,102] NL Outlet Only)
- ___ -11 Vandal Proof Secured Grate
- ___ -25 White A.R.C. Bucket
- ___ -31 Stainless Steel Mesh Liner for Bucket

* Regularly furnished unless otherwise specified.