



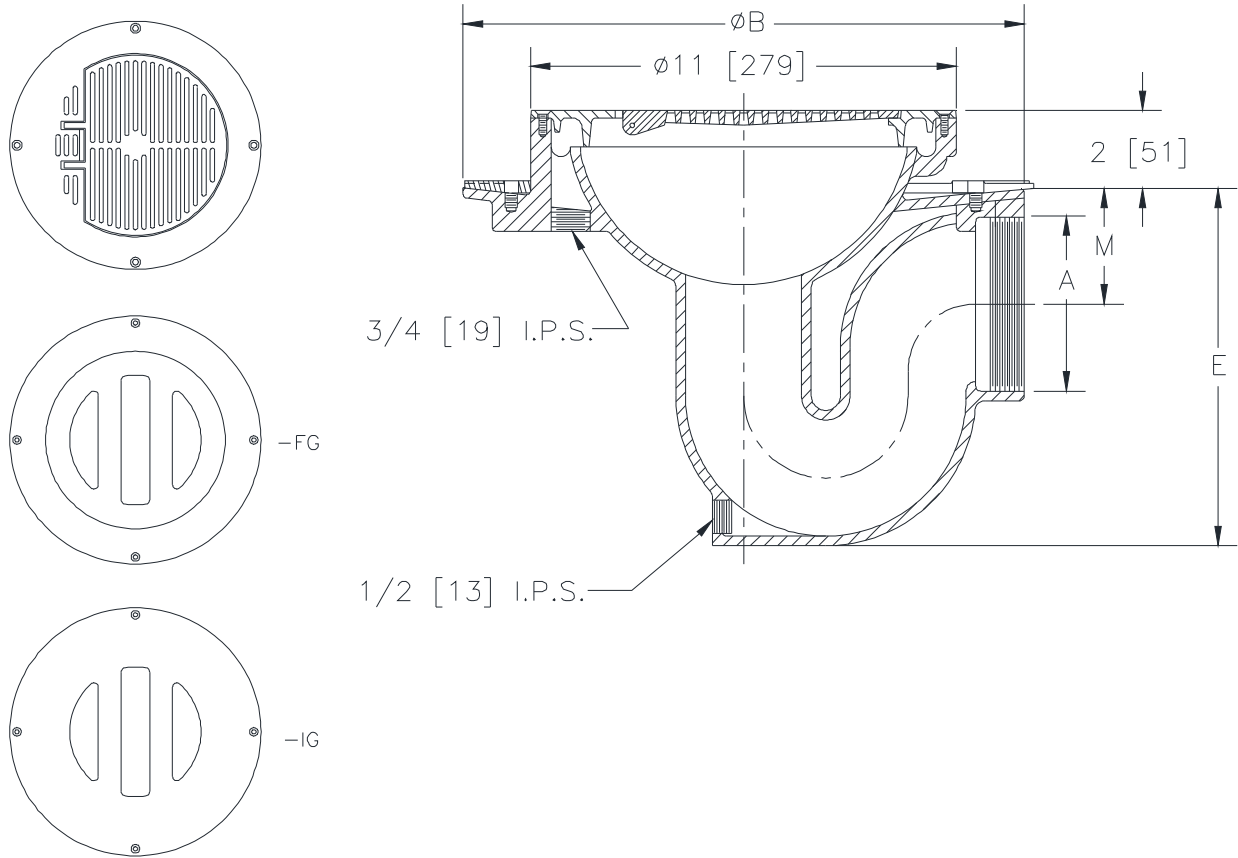
Z300-C

THOROFLUSH DRAIN WITH CLAMPING COLLAR

SPECIFICATION SHEET

TAG _____

Dimensional Data (inches and [mm]) are Subject to Manufacturing Tolerances and Change Without Notice



Dimensions in Inches[mm]			Approx. Wt. Lbs. [kg]	Grate Open Area Sq. In. [cm ²]
A-Pipe Size	B	M		
2 [51]	14-1/2 [368]	3 [76]	50 [23]	18 [116]
3 [76]	14-1/2 [368]	2-1/2 [64]		
4 [102]	15-1/2 [394]	3 [76]		

ENGINEERING SPECIFICATION: ZURN ZN300-C
 11" [279mm] Top Thoroflush drain with integral double wall trap, cast iron body with white acid resistant epoxy coated exterior and interior, side outlet with seepage pan and clamping collar, nickel bronze flushing rim top and slotted hinged grate.

OPTIONS (Check/specify appropriate options)

PIPE SIZE

2, 3 [51, 76]
 4 [102]

(Specify size/type) **OUTLET**

___ IP Threaded
 ___ IP Threaded

E BODY HT. DIM.

9-1/4 [235]
 11-3/4 [298]

PREFIXES

___ ZB Cast Iron Body w/A.R.C. Interior and Exterior w/Polished Bronze Top
 ___ ZN Cast Iron Body w/A.R.C. Interior and Exterior w/Polished Nickel Bronze Top*

SUFFIXES

___ -FG Free Set Grate (Previously Z-302)
 ___ -IG Integral Grate (See Z-301)
 ___ -SC Secondary Clamp Collar
 ___ -ST Solid Top
 ___ -VP Vandal Proof Secured Top
 ___ -WB Water Supply Control Box (See Z-1464)

* Regularly furnished unless otherwise specified.