



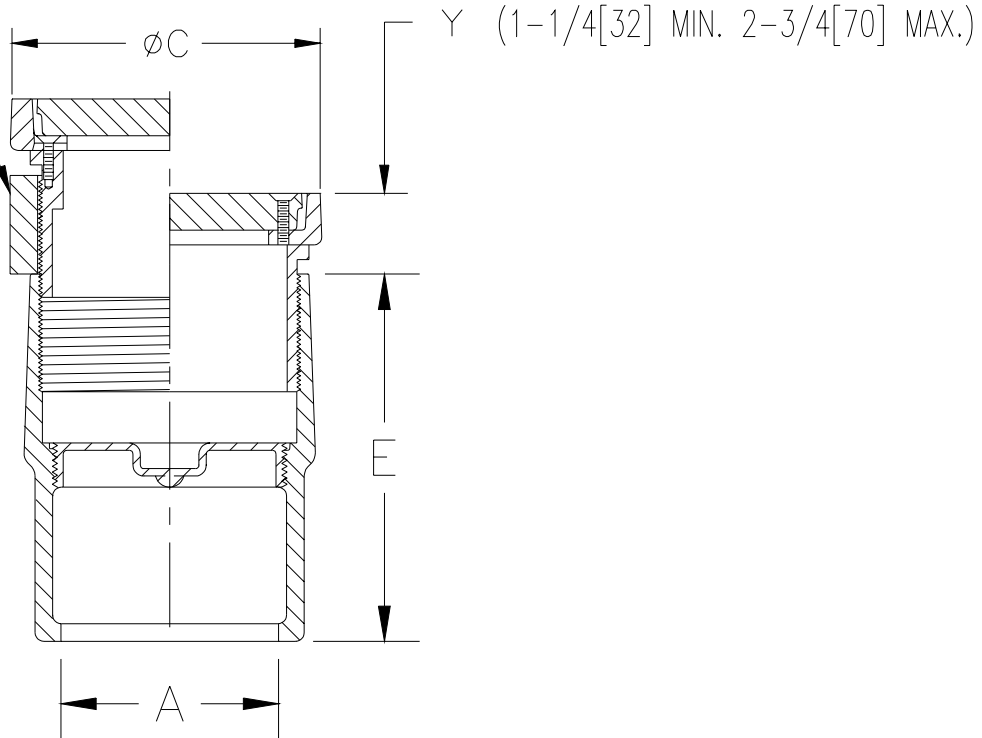
# Z-1400-85 ADJUSTABLE CLEANOUT

SPECIFICATION SHEET  
TAG \_\_\_\_\_

Dimensional Data (inches and [ mm ]) are Subject to Manufacturing Tolerances and Change Without Notice

## GENERAL FINISHED FLOORS

THREAD SHIELD REMOVABLE AFTER SLAB IS POURED



| Dimensions In Inches[mm] |                       | Approx. Wt. Lbs. [kg] |
|--------------------------|-----------------------|-----------------------|
| A-Pipe Size              | C E                   |                       |
| Inside Caulk             |                       |                       |
| 2[51]                    | 6-1/8[156] 6-7/8[175] | 16[7]                 |
| 3[76]                    | 6-1/8[156] 6-7/8[175] | 16[7]                 |
| 4[102]                   | 7-1/4[184] 6-7/8[175] | 19[9]                 |
| 5[127]                   | 8-1/4[210] 6-7/8[175] | 21[10]                |
| 6[152]                   | 9-1/4[235] 6-7/8[175] | 23[10]                |

**ENGINEERING SPECIFICATION:** ZURN Z-1400-85 Adjustable floor cleanout, Dura-Coated cast iron body, with watertight ABS tapered thread plug, and round scoriated top, adjustable to finished floor.

### OPTIONS (Check/specify appropriate options)

#### PREFIXES

- \_\_\_\_\_ **Z-** D.C.C.I.\*
- \_\_\_\_\_ **ZB-** D.C.C.I. with Polished Bronze Top
- \_\_\_\_\_ **ZN-** D.C.C.I. with Polished Nickel Bronze Top

#### SUFFIXES

- \_\_\_\_\_ **-BP** Bronze Plug
- \_\_\_\_\_ **-CM** Carpet Marker
- \_\_\_\_\_ **-DC** Duresist Cover
- \_\_\_\_\_ **-DX** Round ZB or ZN Top w/Dex-o-tex Flange (2"[51] thru 4"[102] only)
- \_\_\_\_\_ **-G** Galvanized Cast Iron
- \_\_\_\_\_ **-GC** Gasketed Cover
- \_\_\_\_\_ **-HD** Heavy Duty Top (Add 3/16[5] to 'Y' Dim. ZB or ZN only)
- \_\_\_\_\_ **-K** Anchor Flange
- \_\_\_\_\_ **-KC** Anchor Flange w/Clamping Collar
- \_\_\_\_\_ **-T** Square Scoriated Top
- \_\_\_\_\_ **-TX** Square Top Recessed for Tile (ZB and ZN only)
- \_\_\_\_\_ **-VP** Vandal Proof Secured Top
- \_\_\_\_\_ **-X** Round Top Recessed for Tile (ZB and ZN only)
- \_\_\_\_\_ **-Z** Round Top Recessed for Terrazzo (ZB and ZN only)

#### OUTLET (Specify type)

\_\_\_\_\_ **IC** Inside Caulk

#### PIPE SIZE (Specify size)

\_\_\_\_\_ 2"[51] thru 6"[152]

#### E BODY HT. DIM.

See Chart

REV. \_\_\_\_\_ DATE: 9/19/94 C.N. NO. 70032  
DWG. NO. P-14047 PRODUCT NO. Z-1400-85

\*REGULARLY FURNISHED UNLESS OTHERWISE SPECIFIED

ZURN INDUSTRIES, INC. ♦ SPECIFICATION DRAINAGE OPERATION ♦ 1801 Pittsburgh Ave. ♦ Erie, PA 16514

Phone: 814/455-0921 ♦ Fax: 814/454-7929 ♦ World Wide Web: www.zurn.com

In Canada: ZURN INDUSTRIES LIMITED ♦ 3544 Nashua Drive ♦ Mississauga, Ontario L4V1L2 ♦ Phone: 905/405-8272 Fax: 905/405-1292