



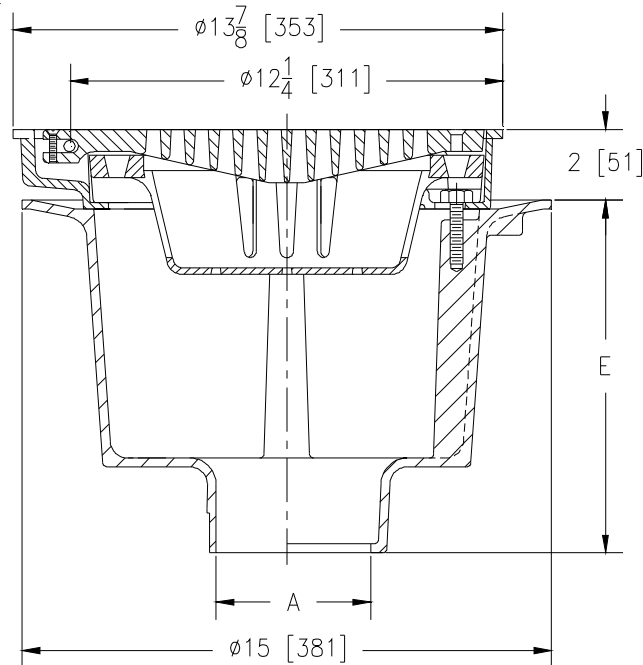
# Z539-98

## 12-1/4 [311] HEAVY DUTY DRAIN WITH DEEP SUMP AND HINGED GRATE

SPECIFICATION SHEET

TAG \_\_\_\_\_

Dimensional Data (inches and [ mm ]) are Subject to Manufacturing Tolerances and Change Without Notice



A - Pipe Size Inches [mm]	Approx. Wt. Lbs. [kg]	Grate Open Area Sq. In. [cm <sup>2</sup> ]
3, 4, 6 [76, 102, 152]	68 [31]	30 [194]
8 [203]		

**ENGINEERING SPECIFICATION: ZURN Z539-98**  
 12-1/4" [311mm] Diameter top drain. Dura-Coated cast iron deep sump body with bottom outlet, seepage pan and combination membrane flashing clamp, hinged heavy duty slotted grate and sediment bucket.

### OPTIONS (Check/specify appropriate options)

#### PIPE SIZE

3, 4, 6, 8 [76, 102, 152, 203]  
 3, 4 [76, 102]

#### (Specify size/type) OUTLET

\_\_\_ NH No-Hub  
 \_\_\_ NL Neo-Loc

#### 'E' BODY HT. DIM.

10 [254]  
 9-5/16 [237]

#### PREFIXES

\_\_\_ Z D.C.C.I. Body and Grate  
 \_\_\_ ZB D.C.C.I. Body with Polished Bronze Grate (Add 3/16 [5] to 2 [51] Dim.)  
 \_\_\_ ZN D.C.C.I. Body with Polished Nickel Bronze Top (Add 3/16 [5] to 2 [51] Dim.)

#### SUFFIXES

\_\_\_ -CG Chained Grate  
 \_\_\_ -G Galvanized Cast Iron  
 \_\_\_ -LG Loose Grate  
 \_\_\_ -SC Solid Cover  
 \_\_\_ -SCH Solid Cover With Center Hole

\* Regularly furnished unless otherwise specified.