



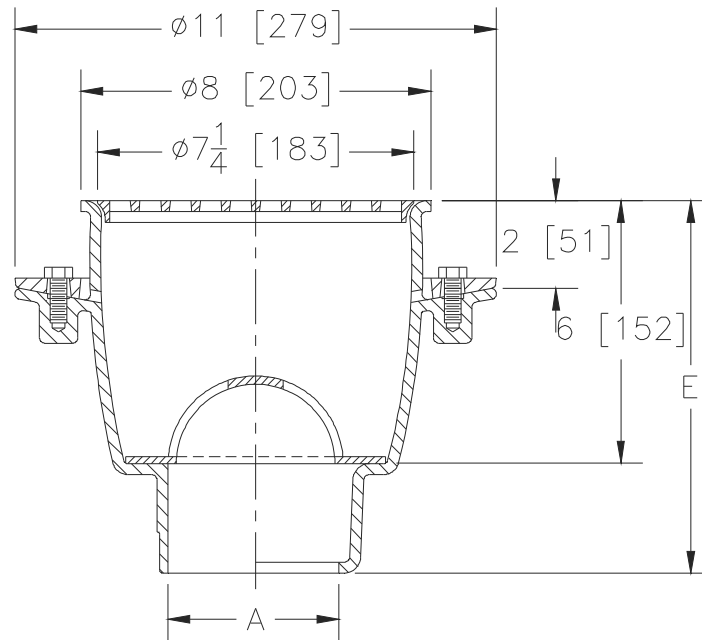
# Z1960-KC

8 [203] DIAMETER A.R.E. SANI-FLOR RECEPTOR  
6 [152] SUMP DEPTH WITH ANCHOR FLANGE,  
SEEPAGE HOLES, AND CLAMP COLLAR

SPECIFICATION SHEET

TAG \_\_\_\_\_

Dimensional Data (inches and [ mm ]) are Subject to Manufacturing Tolerances and Change Without Notice



A Pipe Size In. [mm]	Approx Wt. Lbs. [kg]	Grate Open Area Sq. In. [cm <sup>2</sup> ]
2,3,4 [51,76,102]	25 [11]	15 [97]

**ENGINEERING SPECIFICATION: ZURN Z-1960-KC**  
Sani-Flor Receptor 8" [203mm] diameter x 6" [152mm] deep cast iron body with anchor flange with seepage holes and clamp collar, round square holed light duty grate with white acid resisting porcelain enamel interior and top, black ground enamel exterior coating, and aluminum anti-splash interior bottom dome strainer.

**OPTIONS** (Check/specify appropriate options)

**PIPE SIZE**

(Specify size/type) **OUTLET**

**'E' BODY HT. DIMENSION**

- 3,4 [76,102]
- 2,3,4 [51,76,102]
- 2,3,4 [51,76,102]

- \_\_\_ IC Inside Caulk
- \_\_\_ NH No-Hub
- \_\_\_ NL Neo-Loc

Z	ZN
8-1/2 [216]	9 [229]
8-1/2 [216]	9 [229]
8 [203]	8-7/16 [214]

**PREFIXES**

- \_\_\_ Z Cast Iron Body with White A.R.E. Interior\*
- \_\_\_ ZN Cast Iron Body with White A.R.E. Interior, 8-1/2[216] Round Nickel Bronze Frame and Full Grate with 1/4[6] Square Openings.

**SUFFIXES**

- |  |   |
|--|---|
| ___ -LD Less Bottom Dome Strainer  | ___ -6 Grate w/6 [152] Diameter x 6 [152] High Funnel                 |
| ___ -P 1/2 [13] Threaded Trap Primer Connection (See Z1023)                | ___ -8 Grate w/8-7/8 x 3-5/8 x 3-3/4 [225 x 92 x 95] High Oval Funnel |
| ___ -T Square Frame and Round Grate with 1/4 [6] Square Openings (ZN Only) | ___ -11 Vandal Proof Secured Grate                                    |
| ___ -TC Neo-Loc Test Cap Gasket (2,3,4 [51,76,102] NL Bottom Outlet Only)  | ___ -15 Solid Loose Set Cover   |
| ___ -1 Less Grate  | ___ -23 Aluminum Bucket   |
| ___ -2 1/2 Grate   | ___ -25 White A.R.C. Bucket   |
| ___ -3 3/4 Grate   | ___ -31 Stainless Steel Mesh Liner for Bucket                         |
| ___ -4 Full Grate With 2 [51] Square Opening                               | ___ -32 Aluminum Dome Strainer  |
|  | ___ -33 White A.R.C. Anti-Splash Bottom Dome Strainer                 |

\* Regularly furnished unless otherwise specified.