



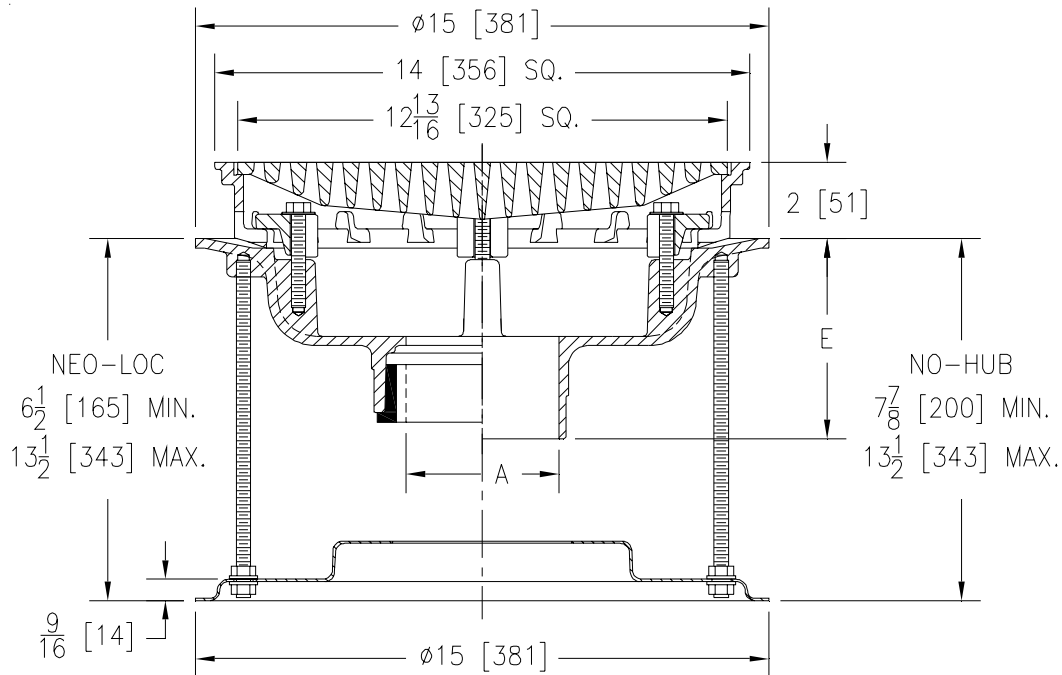
Z150-130

14 [356] SQUARE TOP PROM-DECK DRAIN W/ SECURED HEEL-PROOF GRATE & ROTATABLE FRAME AND STABILIZER ASSEMBLY

SPECIFICATION SHEET

TAG _____

Dimensional Data (inches and [mm]) are Subject to Manufacturing Tolerances and Changes Without Notice



A- Pipe Size In.	Approx. Wt. Lbs. [kg]	Grate Open Area Sq. In. [cm ²]
2-3-4 [51-76-102]	57 [26]	44 [284]

ENGINEERING SPECIFICATION: ZURN Z150-130

14 [356] Square Top Prom-Deck drain, Dura-Coated cast iron body with rotatable square promenade frame with seepage openings, frame clamps, heavy-duty heel-proof grate secured with slotted screws and stabilizer assembly.

OPTIONS (Check/specify appropriate options)

PIPE SIZE

2 thru 4 [51 thru 102]
2 thru 4 [51 thru 102]

(Specify size/type) OUTLET

___ NH No-Hub
___ NL Neo-Loc

E BODY HT. DIM.

5 1/4 [133]
4 9/16 [116]

PREFIXES

___ Z D.C.C.I. Body with Top*
___ ZB D.C.C.I. Body with Polished Bronze Top (Add 3/16 [5] to 2 [51] Dim & 3/8 [10] to 14 [356] Dim.)
___ ZN D.C.C.I. Body with Polished Nickel Bronze Top (Add 3/16 [5] to 2 [51] Dim. & 3/8 [10] to 14 [356] Dim.)

SUFFIXES

___ -AR Acid Resistant Epoxy Coated	___ -TC Neo-Loc Test Cap Gasket (2 [51] - 4 [102] NL Bottom Outlet Only)
___ -DG Duresist Grate	___ -XJ Vertical Expansion Joint (See Z190)
___ -DT Decorative Polished Top (ZB and ZN Only)	___ -Y Sediment Bucket
___ -DX Dex-o-tex Flange (ZB and ZN Only)	___ -85 Stainless Steel Perforated Extension
___ -E Static Extension 1 [25] thru 4 [102] (Specify Ht.)	
___ -EA Adjustable Extension Assembly 2 1/8 [54] thru 3 1/2 [89]	
___ -G Galvanized Cast Iron	
___ -HF High Flow Ductile Iron Grate (Open Area = 61 in ² [394 cm ²])	
___ -S Secondary Strainer	
___ -SC Secondary Clamping Collar	

*REGULARLY FURNISHED UNLESS OTHERWISE SPECIFIED

REV. DATE: 7/25/08 C.N. NO. 98894

DWG. NO. P-15576 PRODUCT NO. Z150-130

ZURN INDUSTRIES, LLC ♦ SPECIFICATION DRAINAGE OPERATION ♦ 1801 Pittsburgh Ave. ♦ Erie, PA 16514

Phone: 814455-0921 ♦ Fax: 814454-7929 ♦ World Wide Web: www.zurn.com

In Canada: ZURN INDUSTRIES LIMITED ♦ 3544 Nashua Drive ♦ Mississauga, Ontario L4V1L2 ♦ Phone: 905405-8272 Fax: 905405-1292