



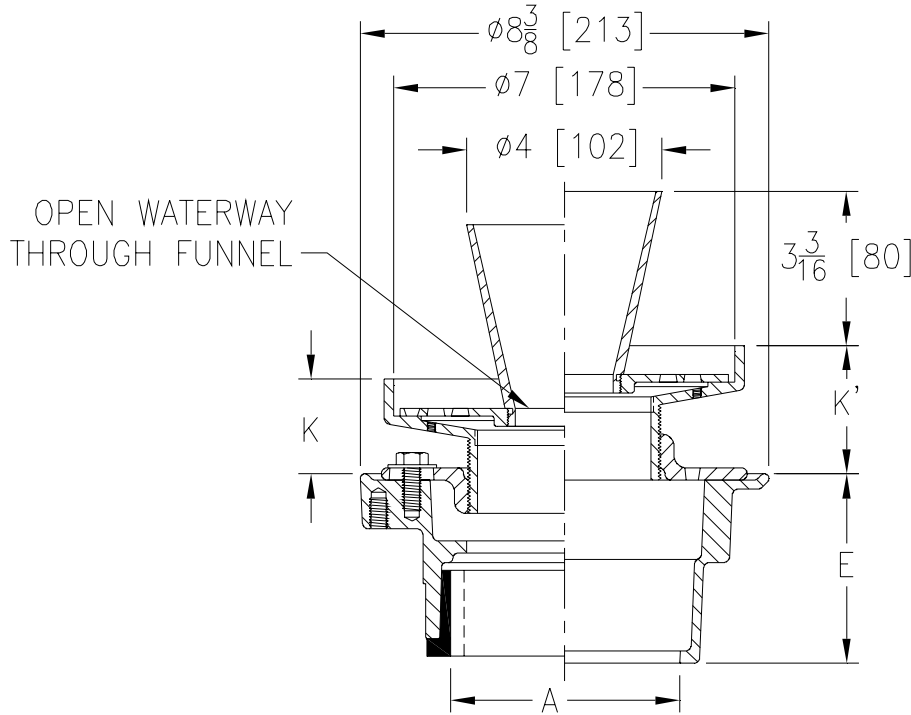
# Z415E-78

## BODY ASSEMBLY W/ LOOSE SET "TYPE E" STRAINER WITH RAISED LIP

SPECIFICATION SHEET

TAG \_\_\_\_\_

Dimensional Data (inches and [ mm ]) are Subject to Manufacturing Tolerances and Change Without Notice



Dimensions In Inches					Approx. Wt. Lbs. [kg]	Strainer Open Area Sq. In. [cm <sup>2</sup> ]
A Pipe Size	K		K'			
	Min.	Max.	Min.	Max.		
2-3-4 [51-76-102]	1 1/8 [29]	2 3/8 [60]	1 3/4 [44]	2 7/8 [73]	17 [8]	12 [77]

**ENGINEERING SPECIFICATION:** ZURN Z415E-78 Floor and shower drain, Dura-Coated cast iron body with bottom outlet, combination invertible membrane clamp and adjustable collar with seepage slots, loose-set "TYPE E" polished, nickel bronze strainer with raised lip and 4 [102] diameter funnel

**OPTIONS** (Check/specify appropriate options)

**PIPE SIZE**

- 2 thru 4 [51 thru 102]
- 2 [51]
- 3 [76]
- 4 [102]
- 2 thru 4 [51 thru 102]
- 2 thru 4 [51 thru 102]

(Specify size/type) **OUTLET**

- \_\_\_\_\_ IC Inside Caulk
- \_\_\_\_\_ IP Threaded
- \_\_\_\_\_ IP Threaded
- \_\_\_\_\_ IP Threaded
- \_\_\_\_\_ NH No-Hub
- \_\_\_\_\_ NL Neo-Loc

**'E' BODY HT. DIM.**

- 3 7/8 [98]
- 2 3/8 [60]
- 2 5/8 [67]
- 2 7/8 [73]
- 3 7/8 [98]
- 3 3/4 [95]

**PREFIXES**

- \_\_\_\_\_ ZB D.C.C.I. Body Assembly w/ Polished Bronze Top\*
- \_\_\_\_\_ ZN D.C.C.I. Body Assembly w/ Polished Nickel Bronze Top

**SUFFIXES**

- \_\_\_\_\_ -AR Acid Resisting Epoxy Coated Cast Iron
- \_\_\_\_\_ -G Galvanized Cast Iron
- \_\_\_\_\_ -P Trap Primer Connection (Specify 1/2 [13] or 3/4 [19])
- \_\_\_\_\_ -SR Stabilizer Ring
- \_\_\_\_\_ -TC Neo-Loc Test Cap Gasket  
( 2 - 4 [51 - 76] NL Bottom Outlet Only)
- \_\_\_\_\_ -U 1 - 3 [25 - 76] High Extension Adapter
- \_\_\_\_\_ -V Backwater Valve
- \_\_\_\_\_ -Y Sediment Bucket
- \_\_\_\_\_ -18 Leveling Ring (See Z400-18)
- \_\_\_\_\_ -90 90° Threaded Side Outlet Body Assembly (2 [51], 3 [76] Only)

\*REGULARLY FURNISHED UNLESS OTHERWISE SPECIFIED

<b>REV.</b>	<b>DATE: 8/27/08</b>	<b>C.N. NO. 99015</b>
<b>DWG. NO. P-15595 PRODUCT NO. Z415E-78</b>		

ZURN INDUSTRIES, LLC ♦ SPECIFICATION DRAINAGE OPERATION ♦ 1801 Pittsburgh Ave. ♦ Erie, PA 16514

Phone: 814/455-0921 ♦ Fax: 814/454-7929 ♦ World Wide Web: www.zurn.com

In Canada: ZURN INDUSTRIES LIMITED ♦ 3544 Nashua Drive ♦ Mississauga, Ontario L4V1L2 ♦ Phone: 905/405-8272 Fax: 905/405-1292