



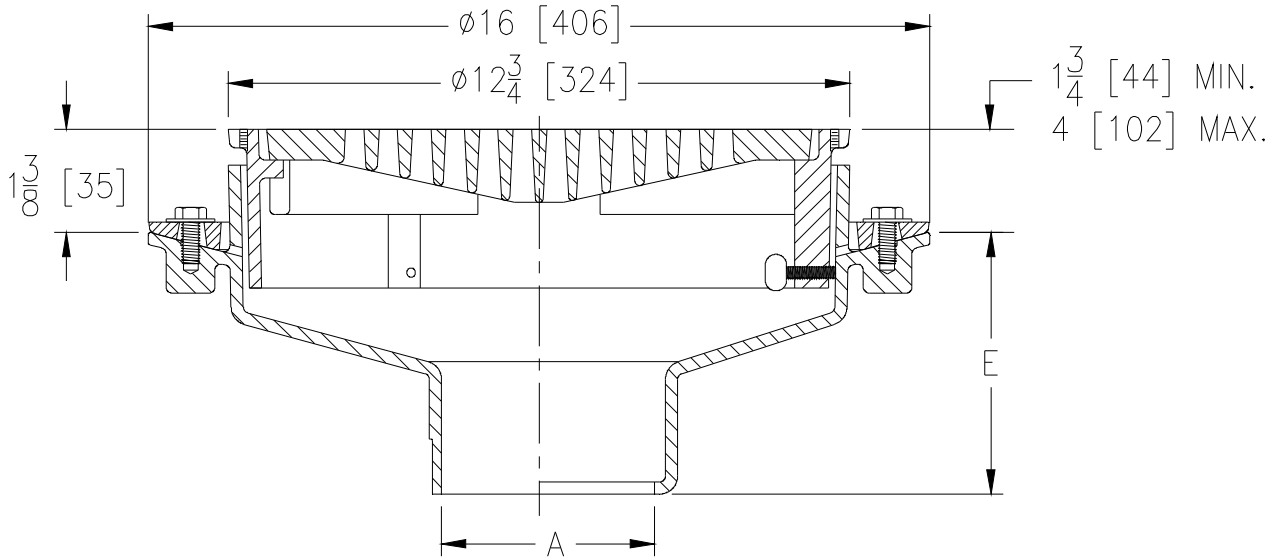
Z526-C

12-3/4 [324] ADJUSTABLE HEAVY-DUTY DRAIN WITH CLAMP COLLAR

SPECIFICATION SHEET

TAG _____

Dimensional Data (inches and [mm]) are Subject to Manufacturing Tolerances and Change Without Notice



A- Pipe Size In. [mm]	Approx. Wt. Lbs. [kg]	Grate Open Area Sq. In. [cm ²]
3,4,6 [76,102,152]	55 [25]	47 [21]

ENGINEERING SPECIFICATION: ZURN Z526-C
 12-3/4" [324mm] Diameter top drain, Dura-Coated cast iron body with bottom outlet, seepage pan, clamp collar, adjustable extension frame and heavy-duty slotted grate.

OPTIONS (Check/specify appropriate options)

PIPE SIZE

- 3,4,6 [76,102,152]
- 3,4,6 [76,102,152]
- 4,6 [102,152]
- 4 [102]

(Specify size/type) **OUTLET**

- _____ IC Inside Caulk
- _____ IG Inside Gasket
- _____ IP Threaded
- _____ NL Neo-Loc

'E' BODY HT. DIM.

- 5-3/8 [136]
- 5-3/8 [136]
- 3-3/4 [95]
- 4-5/8 [117]

PREFIXES

- _____ Z D.C.C.I. Body and Top*
- _____ ZN D.C.C.I. Body with Polished Nickel Bronze Top (Add 3/16 [5] to 1 3/4 [44] - 4 [102] Dim.)

SUFFIXES

- _____ -DG Duresist Grate
 - _____ -G Galvanized Cast Iron
 - _____ -HP Heel-Proof Grate
 - _____ -S Secondary Strainer
 - _____ -T Square Top
 - _____ -TC Neo-Loc Test Cap Gasket
(4 [102] NL Bottom Outlet Only)
 - _____ -TS Top Secured with Slotted Screws
 - _____ -V Backwater Valve (See Z1099)
 - _____ -VP Vandal-Proof Secured Top
- _____ -90 90° Side Outlet Body (See Z1042)

* Regularly furnished unless otherwise specified.