



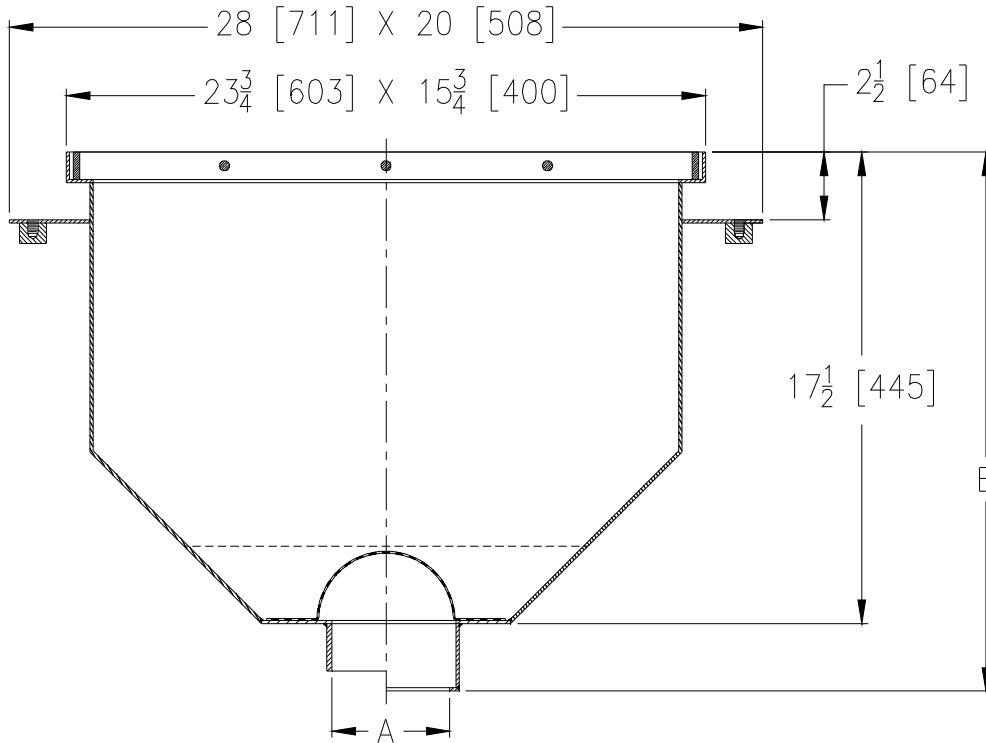
# Z1995-88

## 24 X 16 [610 X 406] STAINLESS STEEL SANI-FLOR RECEPTOR 17 [432] SUMP DEPTH

SPECIFICATION SHEET

TAG \_\_\_\_\_

Dimensional Data (inches and [ mm ]) are Subject to Manufacturing Tolerances and Change Without Notice



A- Pipe Size Inches [mm]	Approx. Wt. Lbs. [kg]	Bar Grate Open Area Sq. In. [cm <sup>2</sup> ]
3, 4, 6, [76, 102, 152]	232 [105]	259-1/2 [1674]

### ENGINEERING SPECIFICATION: ZURN Z1995-88

Sani-Flor Receptor 24" x 16" x 17" [610mm x 406mm x 432mm] deep, fabricated #10 ga. stainless steel body with integral anchor flange, and light-duty stainless steel bar grate, complete with stainless steel anti-splash interior bottom dome strainer.

### OPTIONS (Check/specify appropriate options)

#### PIPE SIZE

3, 4, 6 [76, 102, 152]

3, 4, 6 [76, 102, 152]

(Specify size/type) **OUTLET**

\_\_\_ IC Inside Caulk

\_\_\_ NH No-Hub

#### 'E' BODY HT. DIM.

**Z**

20 [508]

19-1/4 [489]

#### PREFIXES

\_\_\_ ZS Type 304 (CF8) Stainless Steel Body and Grate\*

\_\_\_ ZM Type 316 (CF8M) Stainless Steel Body and Grate

#### SUFFIXES

\_\_\_ -KC Anchor Flange with Seepage Holes and Clamp Collar

\_\_\_ -LD (Less) Bottom Dome Strainer

\_\_\_ -P 1/2 [13] Trap Primer Connection

\_\_\_ -1 (Less) Grate

\_\_\_ -25 White A.R.C. Bucket

\_\_\_ -31 Stainless Steel Mesh Liner for Bucket

\_\_\_ -33 White A.R.C. Anti-Splash Bottom

Dome Strainer

\* Regularly furnished unless otherwise specified.