

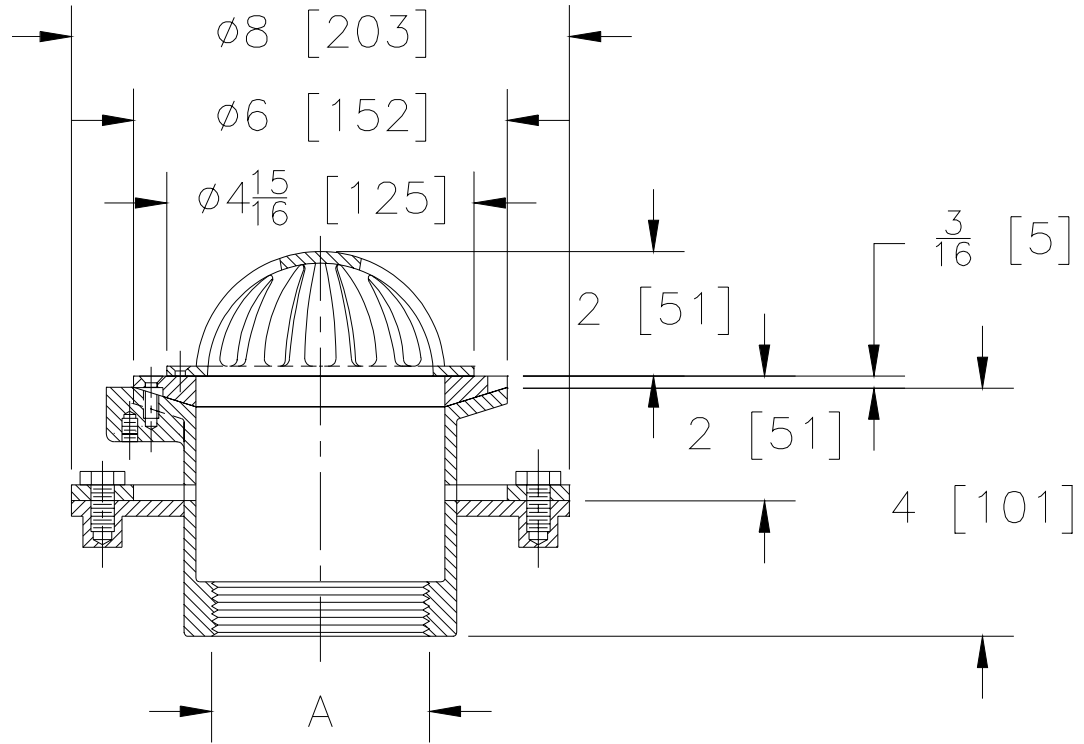


**Z-181-82**  
**6" [152] DIAMETER CORNICE DRAIN**  
**BOTTOM OUTLET**

SPECIFICATION SHEET

TAG \_\_\_\_\_

Dimensional Data (inches and [mm]) are Subject to Manufacturing Tolerances and Changes Without Notice



A- Pipe Size In.	Approx. Wt. Lbs. [kg]	Dome Open Area Sq. In. [cm <sup>2</sup> ]
3 [75]	7 [3]	12 [72]

**ENGINEERING SPECIFICATION:** ZURN ZRB-181-82 6 [152] Diameter by 4 [100] High Cornice drain, Dura-Coated cast iron body, plain bronze dome and membrane flashing clamp, secondary anchor flange with weep holes and clamp collar.

**OPTIONS** (Check/specify appropriate options)

**PIPE SIZE**

(Specify size/type) **OUTLET**

3 [75]

\_\_\_ IP Threaded

**PREFIXES**

- \_\_\_ ZRB- D.C.C.I. Body with Plain Bronze Dome\*
- \_\_\_ ZB- D.C.C.I. Body with Polished Bronze Dome
- \_\_\_ ZN- D.C.C.I. Body with Polished Nickel Bronze Dome

**SUFFIXES**

- \_\_\_ -BS Bronze Mesh Screen Over Dome
- \_\_\_ -C Underdeck Clamp
- \_\_\_ -FS Flat Strainer
- \_\_\_ -G Galvanized Cast Iron
- \_\_\_ -HD 5 3/4 High Dome
- \_\_\_ -R Roof Sump Receiver
- \_\_\_ -VP Vandal Proof Secured Top

REV.	DATE: 9/9/99	C.N. NO. 83161
DWG. NO. P-14747 PRODUCT NO. Z-181-82		

\*REGULARLY FURNISHED UNLESS OTHERWISE SPECIFIED