



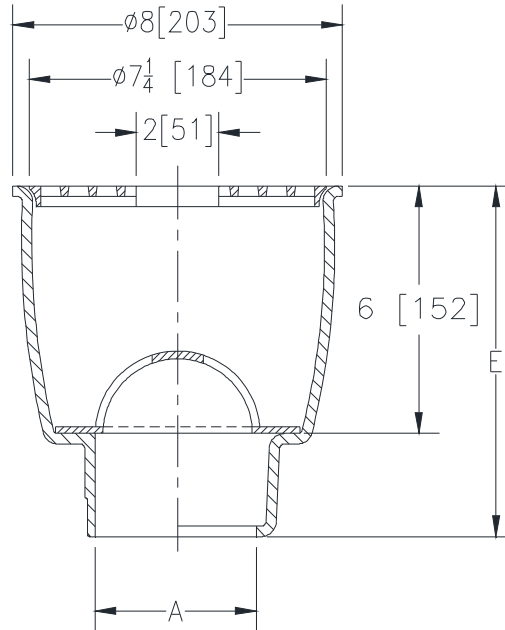
Z1960-4

8 [203] DIAMETER A.R.E. SANI-FLOR RECEPTOR
 6 [152] SUMP DEPTH WITH FULL GRATE WITH
 CENTER OPENING

SPECIFICATION SHEET

TAG _____

Dimensional Data (inches and [mm]) are Subject to Manufacturing Tolerances and Change Without Notice



A Pipe Size In. [mm]	Approx Wt. Lbs.[kg]	Grate Open Area Sq. In. [cm ²]
2,3,4 [51,76,102]	24 [11]	15 [97]

ENGINEERING SPECIFICATION: ZURNZ1960-4
 Sani-Flor Receptor 8" [203mm] diameter x 6" [152mm] deep cast iron body and round square holed light duty grate with 2" [51mm] square center opening, with white acid resisting porcelain enamel interior and top, black ground enamel exterior coating, complete with aluminum anti-splash interior bottom dome strainer.

OPTIONS (Check/specify appropriate options)

PIPE SIZE

- 3,4 [76,102]
- 2,3,4 [51,76,102]
- 2,3,4 [51,76,102]

(Specify size/type) **OUTLET**

- ___ IC Inside Caulk
- ___ NH No-Hub
- ___ NL Neo-Loc

'E' BODY HT. DIMENSION

Z	ZN
8-1/2 [216]	9 [229]
8-1/2 [216]	9 [229]
8 [203]	8-7/16 [214]

PREFIXES

- ___ Z Cast Iron Body with White A.R.E. Interior*
- ___ ZN Cast Iron Body with White A.R.E. Interior, 8-1/2 [216] Nickel Bronze Frame and Full Grate with 1/4 [6] Square Openings

SUFFIXES

- | | |
|--|---|
| ___ -K Anchor Flange with Seepage Holes | ___ -11 Vandal-Proof Secured Grate |
| ___ -KC Anchor Flange with Seepage Holes and Clamp Collar | ___ -23 Aluminum Bucket |
| ___ -LD Less Internal Bottom Dome Strainer | ___ -25 White A.R.C. Bucket |
| ___ -P 1/2 [13] Threaded Trap Primer Connection (See Z1023) | ___ -31 Stainless Steel Mesh Liner for Bucket |
| ___ -T Square Frame and Round Grate with 1/4 [6] Square Openings (ZN Only) | ___ -32 Aluminum Dome Strainer |
| ___ -TC Neo-Loc Test Cap Gasket (2,3,4 [51,76,102] NL Bottom Outlet Only) | ___ -33 White A.R.C. Anti-Splash Bottom Dome Strainer |

* Regularly furnished unless otherwise specified.