



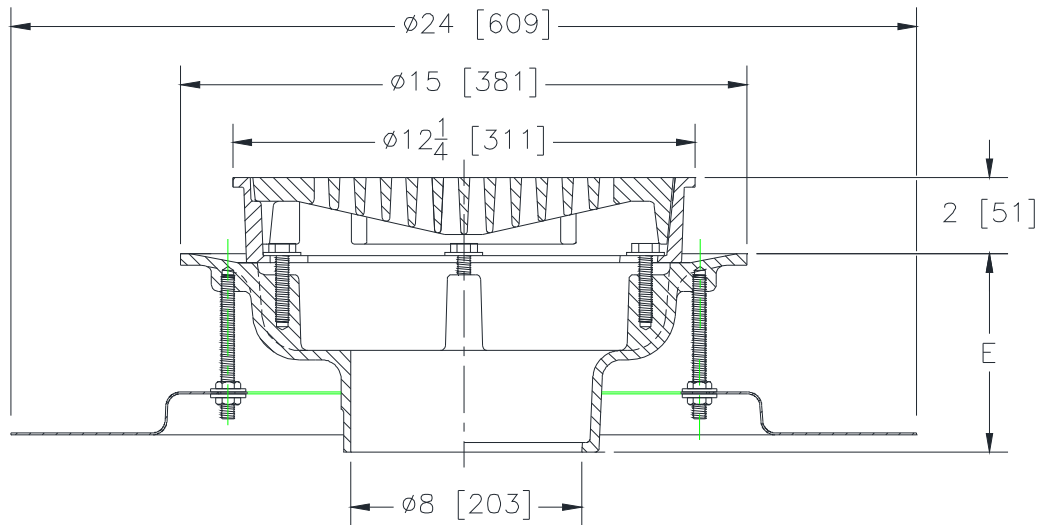
Z505-95

12 [305] HEAVY-DUTY DRAIN W/ STABILIZER PLATE

SPECIFICATION SHEET

TAG _____

Dimensional Data (inches and [mm]) are Subject to Manufacturing Tolerances and Change Without Notice



A- Pipe Size In. [mm]	Approx. Wt. Lbs. [kg]	Grate Open Area Sq. In. [cm ²]
2,3,4,5,6 [51,76,102,127,152]	38 [17]	30 [194]
8,10 [203,254]	40 [18]	

ENGINEERING SPECIFICATION: ZURN Z505-95

12" [305mm] Diameter top drain. Dura-Coated cast iron body with bottom outlet, seepage pan and combination membrane flashing clamp and frame for heavy duty deep flange slotted grate and stabilizer plate.

OPTIONS (Check/specify appropriate options)

PIPE SIZE

- 2 thru 6,8,10 [51 thru 152,203,254]
- 2 thru 4,6 [51 thru 102,152]
- 2 thru 6,8,10 [51 thru 152,203,254]
- 2 thru 6,8,10 [51 thru 152,203,254]
- 2 thru 4 [51 thru 102]

(Specify size/type) OUTLET

- _____ IC Inside Caulk
- _____ IG Inside Gasket
- _____ IP Threaded
- _____ NH No-Hub
- _____ NL Neo-Loc

'E' BODY HT. DIM.

- 5-1/4 [133]
- 5-1/4 [133]
- 3-3/4 [95]
- 5-1/4 [133]
- 4-5/8 [117]

PREFIXES

- _____ Z D.C.C.I. Body and Top*
- _____ ZB D.C.C.I. Body with Polished Bronze Top (Add 3/16 [5] to 2 [51] Dim. and 3/4 [20] to 12-1/4 [311] Dim.)
- _____ ZN D.C.C.I. Body with Polished Nickel Bronze Top (Add 3/16 [5] to 2 [51] Dim. and 3/4 [20] to 12-1/4 [311] Dim.)

SUFFIXES

- _____ -AR Acid Resisting Epoxy Coated Cast Iron
- _____ -D Dome Grate
- _____ -DG Duresist Grate
- _____ -F Extension Frame
(Specify Total Height Req'd.)
- _____ -G Galvanized Cast Iron
- _____ -HP Heel-Proof Grate
- _____ -HT Square Hinged Grate
- _____ -P Trap Primer Connection
- _____ -S Secondary Strainer
- _____ -SA Stabilizer Assembly (See Z1036)
- _____ -SC Solid Cover
- _____ -SS Stainless Mesh Liner for Bucket
- _____ -T Square Top
- _____ -TC Neo-Loc Test Cap Gasket
(2 [51]-4 [102] NL Bottom Outlet Only)
- _____ -TS Top Secured with Slotted Screws
- _____ -V Backwater Valve (See Z1099)
- _____ -VP Vandal-Proof Secured Top
- _____ -Y Sediment Bucket
- _____ -90 90° Threaded Side Outlet Body
(2 [51] - 6 [152] Only)

* Regularly furnished unless otherwise specified.