



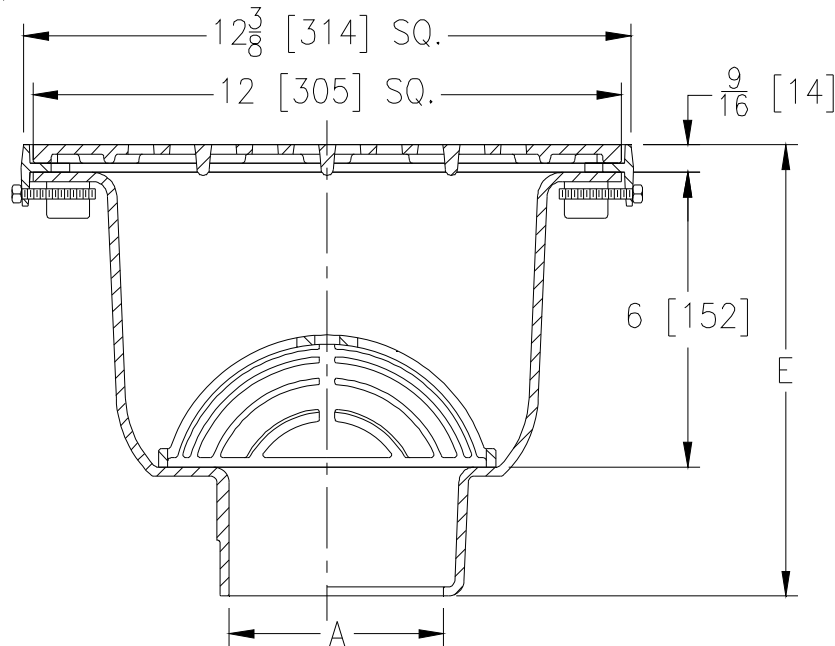
# ZS1900

12-3/8 x 12-3/8 [314 x 314] A.R.E. SANI-FLOR  
RECEPTOR W/ 6 [152] SUMP DEPTH & TYPE 304  
STAINLESS STEEL FRAME AND GRATE

SPECIFICATION SHEET

TAG \_\_\_\_\_

Dimensional Data (inches and [ mm ]) are Subject to Manufacturing Tolerances and Change Without Notice



A Pipe Size In. [mm]	Approx Wt. Lbs. [kg]	Grate Open Area Sq. In. [cm <sup>2</sup> ]
2, 3, 4 [51,76,102]	32 [15]	25 [161]

### ENGINEERING SPECIFICATION: ZURN ZS1900

Sani-Flor Receptor 12" x 12" x 6" [305mm x 305mm x 152mm] deep cast iron body with white acid resisting porcelain enamel interior, black ground enamel exterior coating, with 12-3/8" x 12-3/8" [314mm x 314mm] type 304 stainless steel frame and grate, complete with white ABS anti-splash interior bottom dome strainer.

### OPTIONS (Check/specify appropriate options)

#### PIPE SIZE

3,4 [76,102]  
2,3,4 [51,76,102]  
2,3,4 [51,76,102]

#### (Specify size/type) OUTLET

\_\_\_\_\_ IC Inside Caulk  
\_\_\_\_\_ NH No-Hub  
\_\_\_\_\_ NL Neo-Loc

#### 'E' DIMENSION

9-1/8 [232]  
9-1/8 [232]  
8-1/2 [216]

### PREFIXES

\_\_\_ ZS Cast Iron Body with White A.R.E. Interior, 12-3/8 [314] Square S.S. Frame and Full Grate with 1/2 [13] Square Openings.\*

### SUFFIXES

___ -HD	Stainless Steel Frame with Extra-Heavy Duty Grate	___ -8	Grate w/ 8-7/8 x 3-5/8 x 3-3/4 [225 x 92 x 95] High Oval Funnel
___ -K	Anchor Flange with Seepage Holes	___ -11	Vandal-Proof Secured Top
___ -KC	Anchor Flange with Seepage Holes and Clamp Collar	___ -23	Aluminum Bucket
___ -LD	Less Bottom Dome Strainer	___ -25	White A.R.C. Bucket
___ -P	1/2 [13] Trap Primer Connection (See Z1023)	___ -31	Stainless Steel Mesh Liner for Bucket
___ -SA	Stabilizer Assembly (See Z1903)	___ -32	Aluminum Dome Strainer
___ -TC	Neo-Loc Test Cap Gasket (2,3,4 [51,76,102] NL Bottom Outlet Only)	___ -33	White A.R.C. Anti-Splash Bottom Dome Strainer
___ -VPS	Vandal-Proof Strainer	___ -34	N.B. Anti-Splash Bottom Dome Strainer
___ -1	Less Grate		
___ -2	1/2 Grate		
___ -3	3/4 Grate		
___ -4	Full-Grate with Center Opening 3-1/32 [77] Square		
___ -6	Grate w/ 6 [152] Dia. x 6 [152] High Funnel		

\* Regularly furnished unless otherwise specified.

Zurn Industries, LLC | Specification Drainage Operation  
1801 Pittsburgh Avenue, Erie, PA U.S.A. 16502 · Ph. 855-663-9876, Fax 814-454-7929  
In Canada | Zurn Industries Limited  
3544 Nashua Drive, Mississauga, Ontario L4V 1L2 · Ph. 905-405-8272, Fax 905-405-1292  
[www.zurn.com](http://www.zurn.com)

Rev. A  
Date: 10/12/17  
C.N. No. 138703  
Prod. | Dwg. No. ZS1900