



Z1370-80

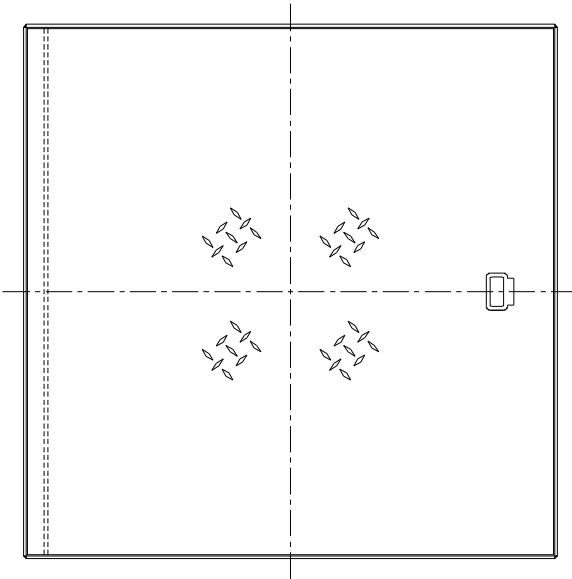
GROUND HYDRANT W/ HINGED COVER

Encased, Hose Storage, Non-Freeze

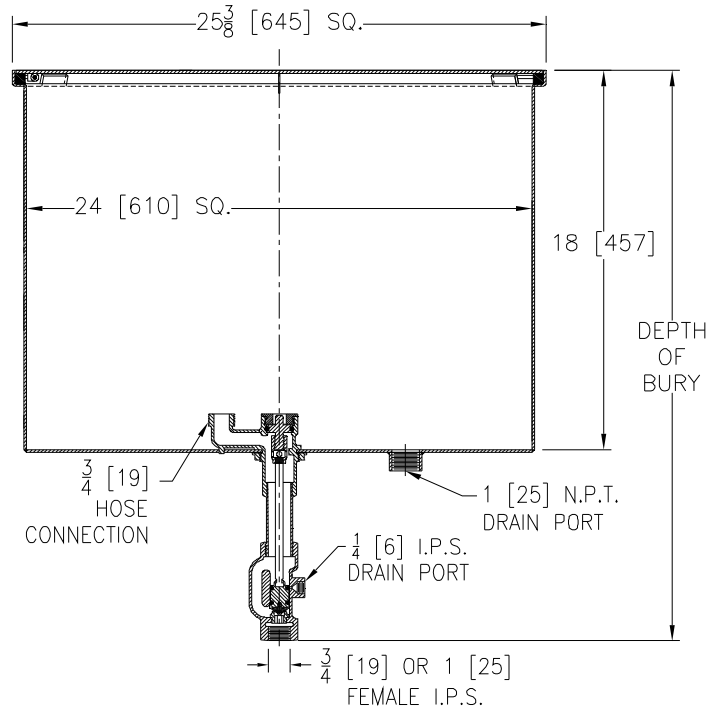
SPECIFICATION SHEET

TAG _____

Dimensional Data (inches and [mm]) are Subject to Manufacturing Tolerances and Change Without Notice



TOPVIEW



Depth of Bury	Approx. Wt. Lbs. [kg]
33 7/8 [860]	81 [37]
45 7/8 [1165]	85 [39]
57 7/8 [1470]	89 [40]
69 7/8 [1775]	93 [42]
81 7/8 [2080]	97 [44]
93 7/8 [2384]	101 [46]
105 7/8 [2689]	105 [48]
117 7/8 [2994]	109 [49]
129 7/8 [3299]	113 [51]

ENGINEERING SPECIFICATION: ZURNZ1370-80

Encased, non-freeze ground hydrant, for flush with grade or finished floor installation. Complete with galvanized steel casing, all bronze interior parts, bronze seat and replaceable seat washer, and non-turning operating rod with free-floating compression closure valve. Acid resistant coated fabricated steel box provides hose storage and is complete with gasketed scoriated stainless steel hinged cover with lift handle. Hydrant is equipped with a tapped 1 [25] drain port in closure box and 1/4 [6] drain port in valve housing. (Hose should always be disconnected for storage.)

Note:

- IMPORTANT** Hydrant must be opened one turn to seal drain port during use.

OPTIONS (Check/specify appropriate options)

SUFFIXES

- ____ -BC Bronze Casing
- ____ -RK Hydrant Parts Repair Kit
- ____ -TS Top Secured with Slotted Screws

PARTS LIST

Item	Name	Quan.
5	Operating Screw	1
6	O-Ring	1
7	Operating Coupling	1
8	Operating Rod	1
9	Washer Guide	1
10	Washer (neoprene)	1
11	Screw	1
17	O-Ring	2
18	Removable Seat	1

REV. A	DATE: 05/05/08	C.N. NO. 98452
DWG. NO. P-15255	PRODUCT NO. Z1370-80	

*WHEN ORDERING REPLACEMENT PARTS SPECIFY Y DIM.

ZURN INDUSTRIES, LLC. ♦ SPECIFICATION DRAINAGE OPERATION ♦ 1801 Pittsburgh Ave. ♦ Erie, PA 16514

Phone: 814/455-0921 ♦ Fax: 814/454-7929 ♦ World Wide Web: www.zurn.com

In Canada: ZURN INDUSTRIES LIMITED ♦ 3544 Nashua Drive ♦ Mississauga, Ontario L4V1L2 ♦ Phone: 905/405-8272 Fax: 905/405-1292