



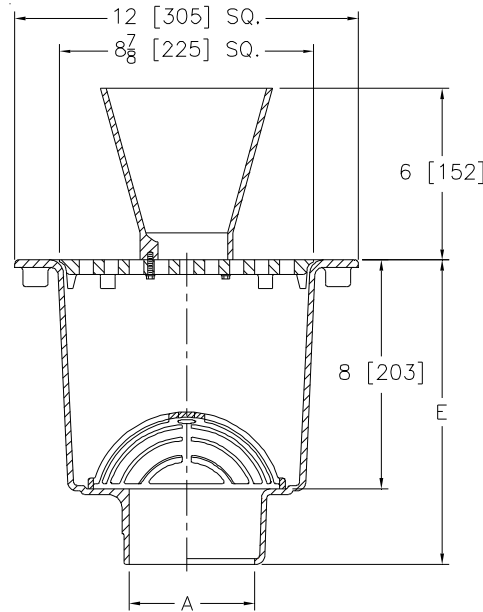
Z1901-6

12 X 12 [305 X 305] A.R.E. SANI-FLOR RECEPTOR
 8 [203] SUMP DEPTH W/ GRATE AND
 6 [152] DIAMETER X 6 [152] HIGH FUNNEL

SPECIFICATION SHEET

TAG _____

Dimensional Data (inches and [mm]) are Subject to Manufacturing Tolerances and Change Without Notice



A- Pipe Size In. [mm]	Approx Wt. Lbs. [kg]	Grate Open Area Sq. In. [cm ²]
2, 3, 4 [51, 76, 102]	34 [15]	31 [200]

ENGINEERING SPECIFICATION: ZURN Z1901-6

Sani-Flor receptor 12" x 12" x 8" [305mm x 305mm x 203mm] deep cast iron body and full grate w/ 6" dia [152mm] x 6" [152mm] high funnel, with white acid resisting porcelain enamel interior and top, black ground enamel exterior coating, and white ABS anti-splash interior bottom dome strainer.

OPTIONS (Check/specify appropriate options)

PIPE SIZE

3, 4 [76, 102]
 2, 3, 4 [51, 76, 102]
 2, 3, 4 [51, 76, 102]

(Specify size/type) OUTLET

___ IC Inside Caulk
 ___ NH No-Hub
 ___ NL Neo-Loc

'E' BODY HT. DIMENSION

Z	ZN / ZS
10-5/8 [270]	11-1/8 [283]
10-5/8 [270]	11-1/8 [283]
10 [254]	10 -/2 [267]

PREFIXES

- ___ Z Cast Iron Body with White A.R.E. Interior*
- ___ ZN Cast Iron Body with White A.R.E. Interior, 12-1/2 [317] Square Nickel Bronze Frame and Full Grate with 1/2 [13] Openings
- ___ ZS Cast Iron Body with White A.R.E. Interior, 12-1/2 [317] Square Stainless Steel Frame and Full Grate with 1/2 [13] Openings

SUFFIXES

- | | |
|--|---|
| ___ -DX Dex-O-Tex Flange (ZN only) | ___ -VPS Vandal-Proof Strainer |
| ___ -HD Stainless Steel Frame w/ Extra-Heavy Duty
Stainless Steel Grate (ZS only) | ___ -11 Vandal-Proof Secured Grate (ZN Only) |
| ___ -HP Heel-Proof Grate (ZN only) | ___ -23 Aluminum Bucket |
| ___ -K Anchor Flange | ___ -25 White A.R.C. Bucket |
| ___ -KC Anchor Flange with Seepage Holes and Clamp Collar | ___ -31 Stainless Steel Mesh Liner for Bucket |
| ___ -LD (Less) Bottom Dome Strainer | ___ -32 Aluminum Dome Strainer |
| ___ -P 1/2 [13] Trap Primer Connection (See Z1023) | ___ -33 White A.R.C. Anti-Splash Bottom Dome Strainer |
| ___ -TC Neo-Loc Test Cap Gasket
(2, 3, 4 [51, 76, 102] NL Bottom Outlet Only) | |

* Regularly furnished unless otherwise specified.