

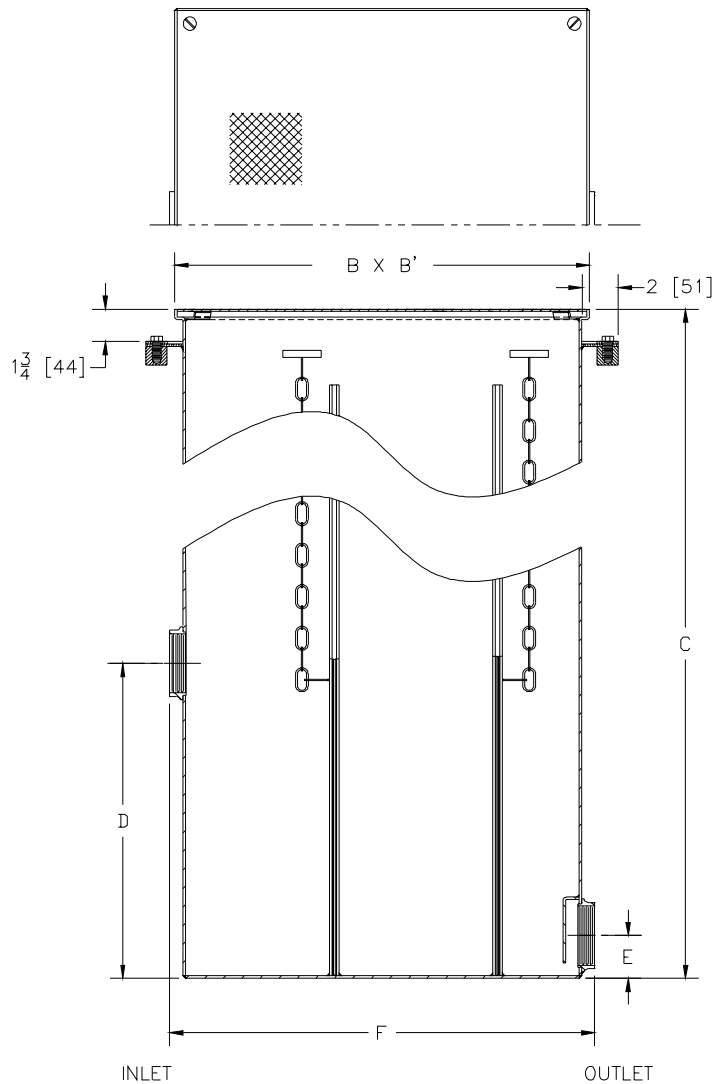


Z1185-95 LINT INTERCEPTOR

SPECIFICATION SHEET

TAG _____

Dimensional Data (inches and [mm]) are Subject to Manufacturing Tolerances and Change Without Notice



Size No. of Machines	Inlet/Outlet Size**	Flow Rate G.P.M. [L]	Approx. Wt. Lbs. [kg]	Dimensions In Inches					
				B	B'	C	D	E	F
3	2 [51]	30 [113]	267 [121]	17 [432]	17 [432]	64 1/2 [1638]	13 1/2 [343]	3 1/4 [82]	17 1/4 [438]

ENGINEERING SPECIFICATION: ZURN Z1185-95 Acid Resistant Coated interior and exterior fabricated steel lint interceptor with integral extension, anchor flange with clamping collar, non-skid secured cover, and removable primary straining baffle and removable secondary stainless steel screen assembly with attached lift chains. Regularly furnished with high inlet and low outlet.

OPTIONS (Check/specify appropriate options)

PREFIXES

_____ Z Acid Resistant Coated Fabricated Steel*

SUFFIXES

_____ -RS Stainless Steel Screen Replacement Assembly

REV.	DATE: 4/22/04	C.N. NO. 92110
DWG. NO. P-15050 PRODUCT NO. Z1185-95		

*REGULARLY FURNISHED UNLESS OTHERWISE SPECIFIED