



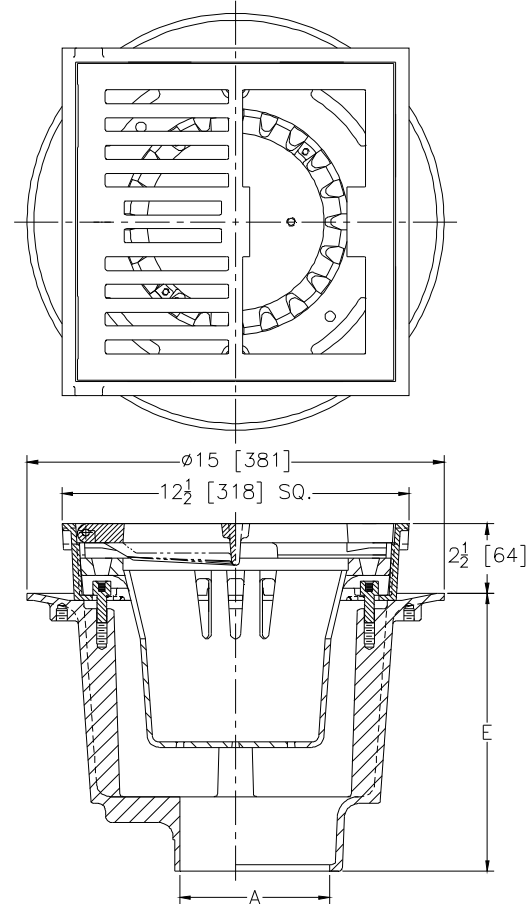
Z539-96

12-1/2 [318] SQ. TOP, BLUE A.R.C. COATED DRAIN W/
DEEP SUMP & 1/2 GRATE

SPECIFICATION SHEET

TAG _____

Dimensional Data (inches and [mm]) are Subject to Manufacturing Tolerances and Change Without Notice



A-Pipe Size In. [mm]	Approx. Wt. Lbs. [kg]	Grate Open Area Sq. In. [cm ²]
3, 4, 6, 8 [76, 102, 152, 203]	68 [31]	50-5/16 [325]

ENGINEERING SPECIFICATION: ZURN Z539-96

12-1/2" [318mm] square top drain, Blue A.R.C. Coated cast iron deep sump body with bottom outlet, seepage pan and combination membrane flashing clamp and frame for sediment bucket and slotted 1/2 grate.

OPTIONS (Check/specify appropriate options)

PIPE SIZE

(Specify size/type) OUTLET

'E' BODY HT. DIM.

3, 4, 6 [76, 102, 152]

___ IC Inside Caulk

10 [254]

3, 4, 6 [76, 102, 152]

___ IG Inside Caulk w/Sealtrol Gskt.

10 [254]

3, 4, 6, 8 [76, 102, 152, 203]

___ NH No-Hub

10 [254]

PREFIXES

___ Z Blue A.R.C. Coated C.I. Body and Top*

___ ZB Blue A.R.C. Coated C.I. Body with Polished Bronze Top (Add 3/16 [5] to 2-1/2 [64] Dim.)

___ ZN Blue A.R.C. Coated C.I. Body with Polished Nickel Bronze Top (Add 3/16 [5] to 2-1/2 [64] Dim.)

SUFFIXES

___ -FY Free Standing Bucket

___ -G Galvanized Cast Iron

___ -H Hinged Grate

___ -SS Stainless Steel Mesh Liner for Bucket

* Regularly furnished unless otherwise specified.