



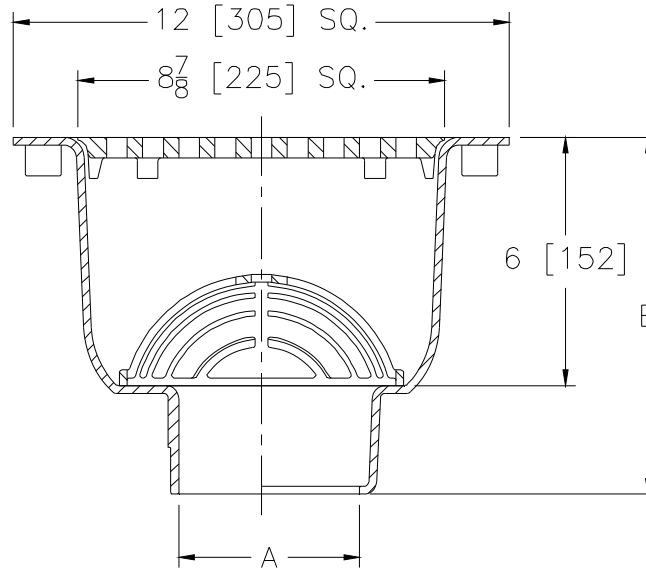
Z1900-33

12 x 12 [305 x 305] A.R.E. SANI-FLOR RECEPTOR
6 [152] SUMP DEPTH W/ WHITE A.R.C. BOTTOM
DOME STRAINER

SPECIFICATION SHEET

TAG _____

Dimensional Data (inches and [mm]) are Subject to Manufacturing Tolerances and Change Without Notice



A Pipe Size In. [mm]	Approx Wt. Lbs. [kg]	Grate Open Area Sq. In. [cm ²]
2,3,4[51,76,102]	25 [11]	31 [200]

ENGINEERING SPECIFICATION: ZURNZ1900-33

Sani-Flor Receptor 12" x 12" x 6" [305mm x 305mm x 152mm] deep cast iron body and square slotted light duty grate, with white acid resisting porcelain enamel interior and top, black ground enamel exterior coating, and white A.R.C. anti-splash bottom dome strainer.

OPTIONS (Check/specify appropriate options)

PIPE SIZE

- 3,4 [76,102]
- 2,3,4 [51,76,102]
- 2,3,4 [51,76,102]

(Specify size/type) OUTLET

- ___ IC Inside Caulk
- ___ NH No-Hub
- ___ NL Neo-Loc

'E' BODY HT. DIMENSION

Z	ZN / ZS
8-5/8 [219]	9-1/8 [232]
8-5/8 [219]	9-1/8 [232]
8 [203]	8-1/2 [216]

PREFIXES

- ___ Z Cast Iron Body with White A.R.E. Interior*
- ___ ZN Cast Iron Body with White A.R.E. Interior, 12-1/2 [317] Square Nickel Bronze Frame and Full Grate with 1/2 [13] Openings
- ___ ZS Cast Iron Body with White A.R.E. Interior, 12-1/2 [317] Square Stainless Steel Frame and Full Grate with 1/2 [13] Openings

SUFFIXES

- | | |
|---|--|
| ___ -DX Dex-O-Tex Flange (ZN Only) | ___ -2 1/2 Grate |
| ___ -HD Stainless Steel Frame w/ Extra Heavy-Duty Stainless Steel Grate (ZS Only) | ___ -3 3/4 Grate |
| ___ -HP Heel-Proof Grate (ZN Only) | ___ -4 Full Grate w/ Center Opening (2 [51] Dia. for Z) and (3-1/32 [77] Square for ZN & ZS) |
| ___ -K Anchor Flange with Seepage Holes | ___ -6 Grate w/ 6 [152] Dia. x 6 [152] High Funnel |
| ___ -KC Anchor Flange with Seepage Holes and Clamp Collar | ___ -8 Grate w/ 8-7/8 x 3-5/8 x 3-3/4 [225 x 92 x 95] High Oval Funnel |
| ___ -P 1/2 [13] Trap Primer Connection (See Z1023) | ___ -11 Vandal-Proof Secured Top (ZN & ZS Only) |
| ___ -SA Stabilizer Assembly (See Z1903) | ___ -15 Solid Loose Set Cover (Z & ZN Only) |
| ___ -TC Neo-Loc Test Cap Gasket (2,3,4 [51,76,102] NL Bottom Outlet Only) | ___ -19 Full Hinged Grate (ZN Only) |
| ___ -1 (Less) Grate | |

* Regularly furnished unless otherwise specified.